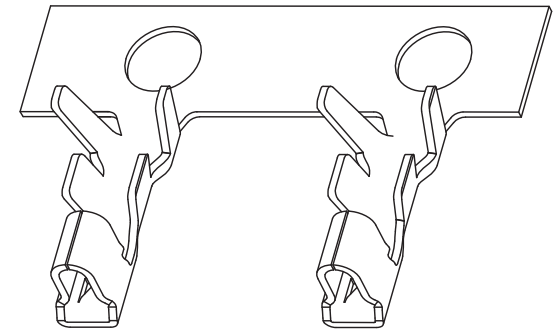
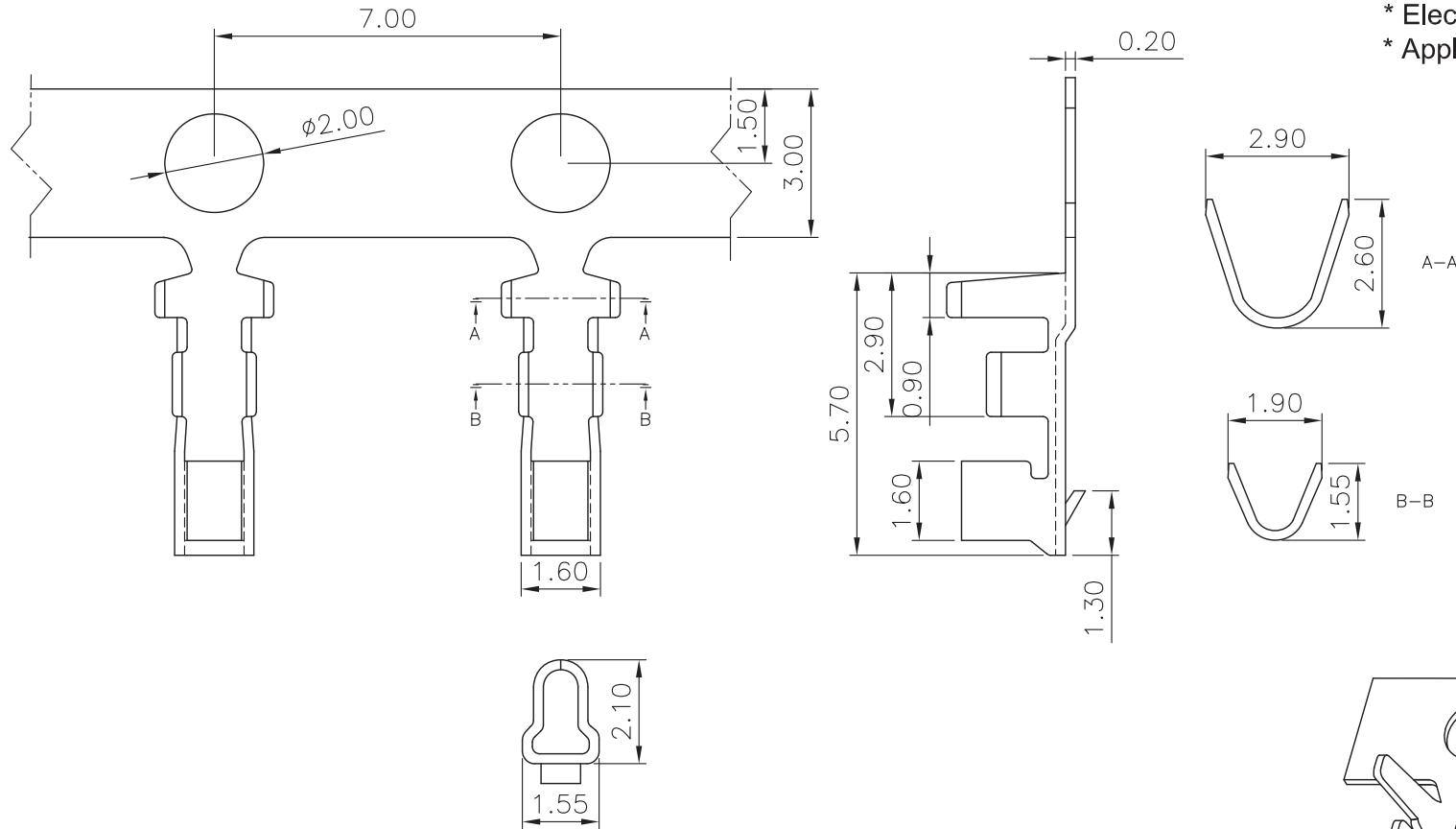


NOTE :

- \* Material : Phosphor bronze(Lead Free)
- \* Finish : Plated Tin over Nickel
- \* Electrical rating : 30V 1A, AC/DC
- \* Applicable wire AWG #30- #22



RoHS Compliant

TOLERANCES ARE

**MORETHANALL**  
PCB CONNECTORS  
Cable ASSEMBLIES

DRAWING BY CY

CHECKED BY GENIUS

UNIT / mm

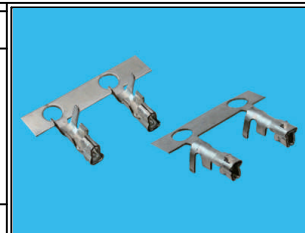
SCALE 1 : 1

DATE

SIZE A4

PPOJECTION

X. ±  
.X ±  
.XX ±  
.XXX ±  
ANG ±



ORDER INFORMATION

EH-T-22-LF  
SERIES | LEADFREE  
22~30AWG  
TERMINAL

煜倫股份有限公司

www.morethanall.com

DESCRIPTION: