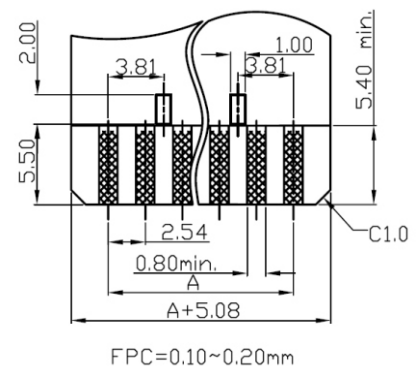
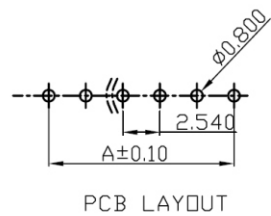
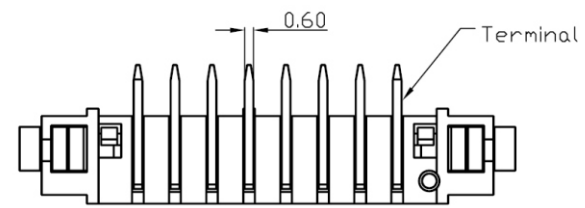
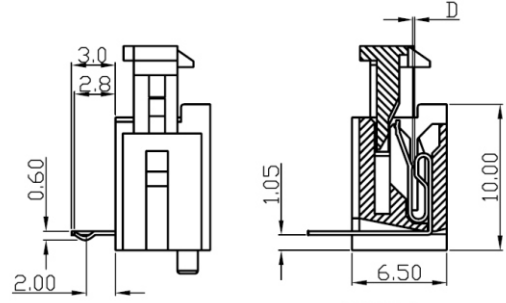
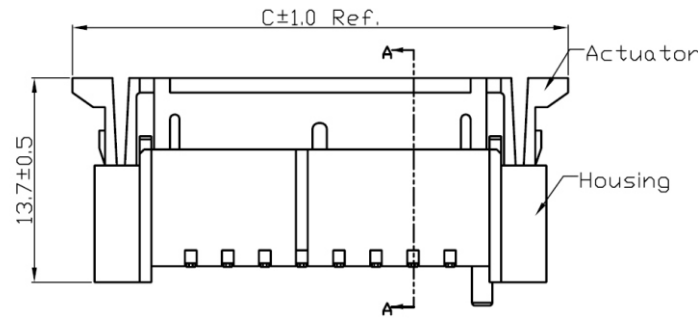


Note:

1. Material: Iserlater: PBT UL94V-0 Color: Black
Metal: Pre-tinned Phosphoer bronze
2. Make kinks on the first and end terminal.
3. UL approved, UL no. is E82349. RoHS compliant.
3. When the locking mechanism is in the open position dimension D is 0.20~0.30
4. When the locking mechanism is in the closed position dimension D is 0.000

20	48.26	55.26	64.44
19	45.72	52.72	61.92
18	43.18	50.18	59.38
17	40.64	47.64	56.84
16	38.10	45.10	54.30
15	35.56	42.56	51.76
14	33.02	40.02	49.22
13	30.48	37.48	46.68
12	27.94	34.94	44.14
11	25.40	32.40	41.60
10	22.86	29.86	39.06
9	20.32	27.32	36.52
8	17.78	24.78	33.98
CIRCUITS	DIM.A	DIM.B	DIM.C



FPC-RZA-xx-LF
LEADFREE



PART NO. FPC-RZA-xx	
DWG NO. FPC-RZA-xx	
FILE NO.	
UNIT / mm	SCALE 1:1

RoHS Compliant	
CHECKED BY CY	TOLERANCES ARE
DRAWING BY	.X ± 0.2
PROJECTION	.XX ±
	.XXX ±
	AWG

DESCRIP TION:			
AREA	REVISIONS	HK	DATE

煜倫股份有限公司