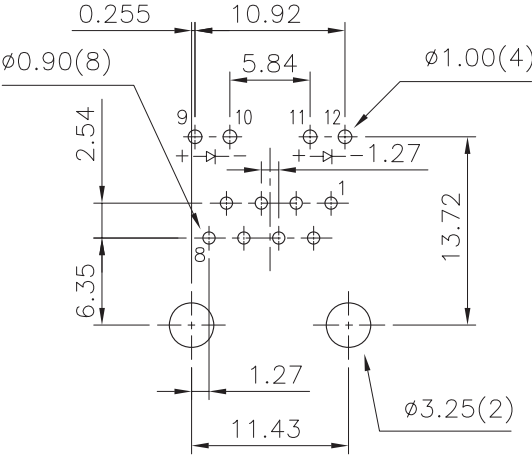


MATERIAL:  
 · HOUSING—PBT POLYESTER UL94V-0  
 MIXED GLASS FIBER.  
 STANDARD COLOR—BLACK.  
 · CONTACTS—0.35mm THICK PHOS—BRONZE PLATED  
 WITH HARD GOLD AND GOLD FLASH IN  
 SOLDER AREA.  
 CAVITY CONFIRMS TO FCC RULES AND REGULATIONS  
 PART 68,SUBPART F.

**MJ13T25UL-KX30xx-0808-LF**  
**LEADFREE**  
 GR:GREEN/RED  
 GG:GREEN/GREEN  
**RoHS Compliant**



PCB LAYOUT  
 Ref.

**MORETHANALL**  
 CONNECTORS  
 ASSEMBLIES

PART NO. MJ13T25UL-KX30xx-0808

DWG NO. MJ13T25UL-KX30xx-0808

CHECKED BY CY

TOLERANCES ARE

DESCRIPTION:

SINGLE PORT, RJ45, WITH LED'S  
 SHIELDLESS, DIP TYPE, SIDE ENTRY.

煜倫股份有限公司

FILE NO.

DRAWING BY

.X ± 0.2  
 .XX ±  
 .XXX ±  
 AWG

AREA	REVISIONS	HK	DATE
------	-----------	----	------

UNIT / mm

SCALE 1:1

PROJECTION

# TRANSFORMER TYPE 1

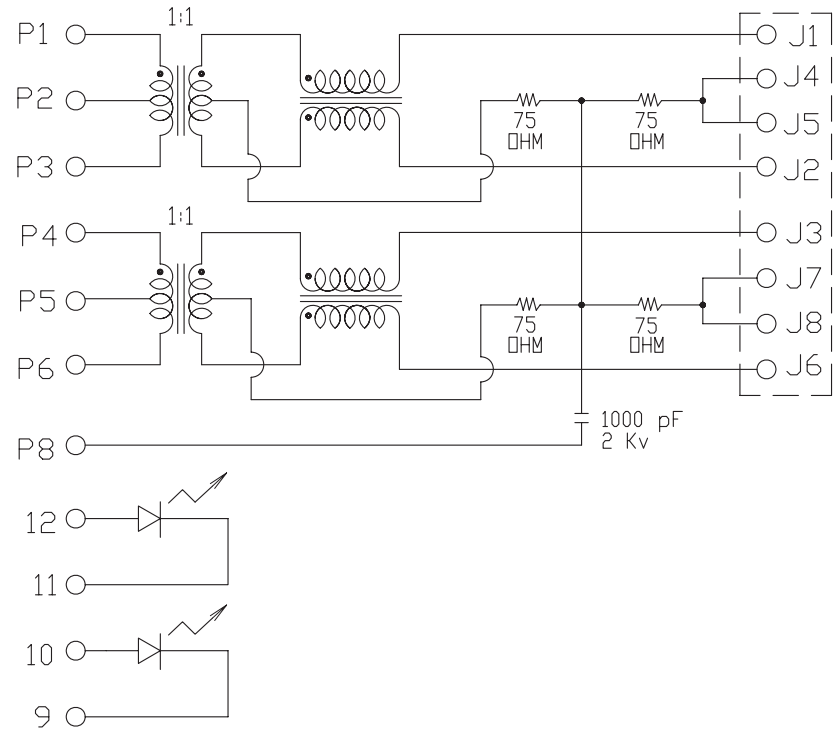
Specification :

Item	Parameter	Condition	Min.	Typ.	Max.	Unit	REMARK
1	Insertion loss	1-100 MHz			-1	dB	
2	Return loss	1-30 MHz	-20			dB	
		30-60 MHz	-15			dB	
		60-80 MHz	-12			dB	
3	Primary Inductance @100KHz, 0.1Vrms, 8mA DC BIAS	(J1-J2), (J3-J6)	350			μH	
4	Crosstalk	1-100 MHz	-35			dB	
5	Hipot	Vrms	1.5			kV	
6	COMMON MODE REJECTION	1-100 MHz	-35			dB	

\* OPERATING TEMPERATURE RANGE: 0°C TO +70°C.

CONNECTOR SOLDER SIDE

RJ45  
CONTACT SIDE



CONNECTOR SCHEMATIC

**MORETHANALL**  
CONNECTORS  
ASSEMBLIES

PART NO. MJ13T25UL-KX30xx-0808

DWG NO. MJ13T25UL-KX30xx-0808

CHECKED BY CY

TOLERANCES ARE

DESCRIPTION:

TRANSFORMER TYPE 1  
SPECIFICATION

煜倫股份有限公司

FILE NO.

DRAWING BY

.X ± 0.2  
.XX ±  
.XXX ±  
AWG

AREA

REVISIONS

HK

DATE

UNIT / mm

SCALE 1:1

PROJECTION

