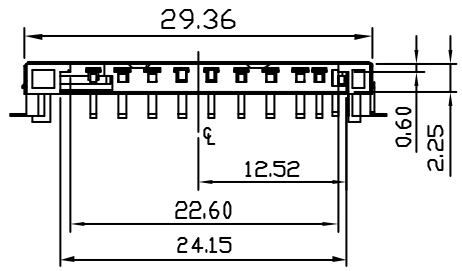
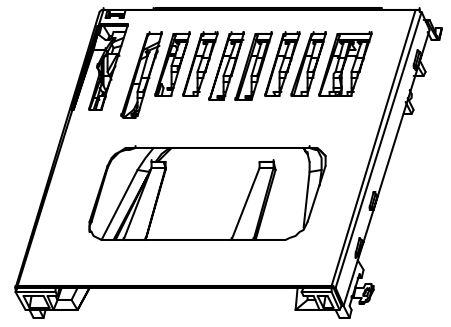
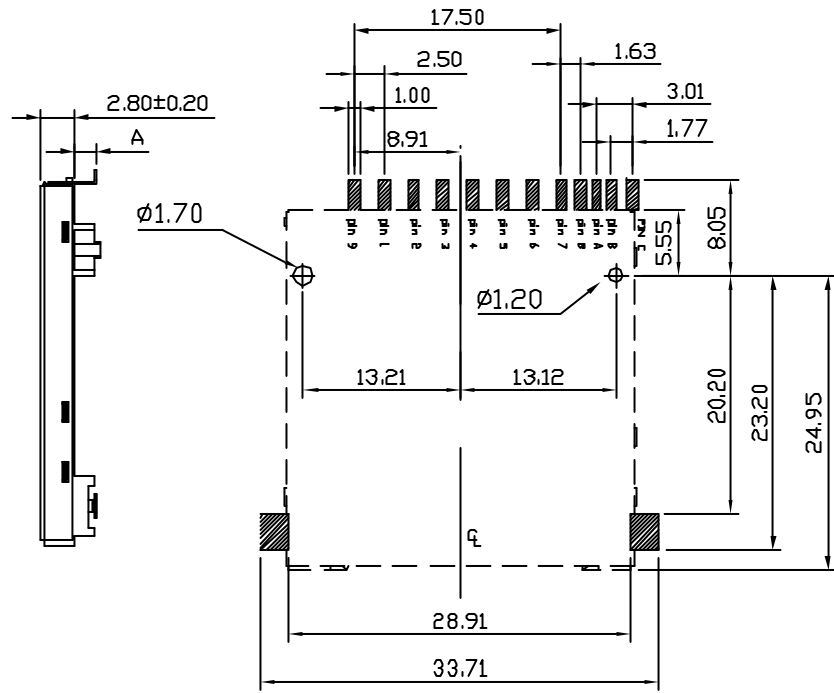
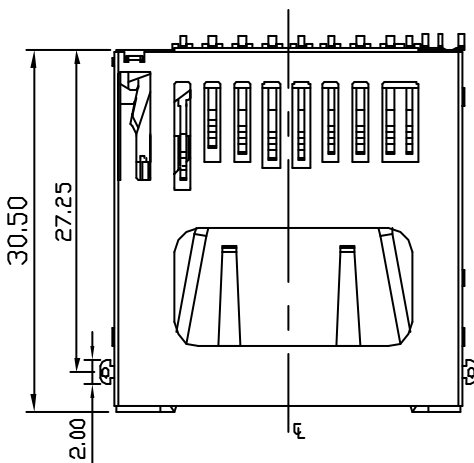


PART NO	dimension
	A
SDC-W26AP-09	0.10
SDC-W26AP18-09	1.80
SDC-W26AP24-09	2.40

1. MATERIAL :  
 HOUSING : GLASS- FILLED THERMO-PLASTIC,UL94V-0  
 CONTACT : COPPER ALLOY  
 COVER : STAINLESS STEEL  
 SPRING : STAINLESS STEEL

2. SPECIFICATION  
 VOLTAGE RATING : 100VAC RMS MAX  
 CURRENT RATING : 0.5A MAX  
 OPERATING TEMPERATURE : -25°C ~ +80°C  
 INSULATION RESISTANCE: 1000 MΩ Min  
 CONTACT RESISTANCE: 100 mΩ Max



PCB LAYOUT  
 General Tolerances ±0.05

SDC-W26APxx-09-LF  
 LEADFREE

**RoHS Compliant**



煜倫股份有限公司

PART NO. <b>SDC-W26APxx-09</b>		CHECKED BY CY	TOLERANCES ARE .X ± 0.2 .XX ± .XXX ± AWG	DESCRIPTION: SD CONNECTOR PUSH REVERSE SMT TYPE	AREA	REVISIONS	HK	DATE
DWG NO. <b>SDC-W26APxx-09</b>								
FILE NO.		DRAWING BY						
UNIT / mm	SCALE 1:1	PROJECTION						