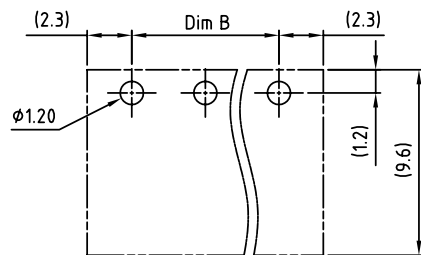
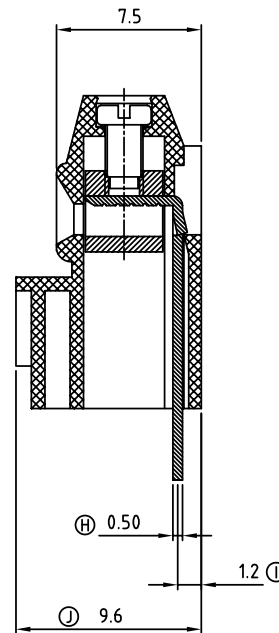
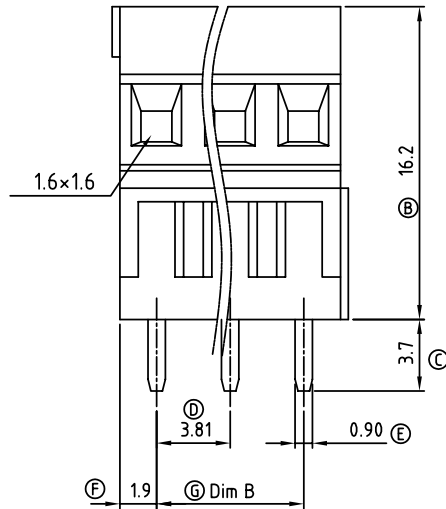


Dimension A&B

| | |
|-------|------------|
| Dim A | N×3.81 |
| Dim B | (N-1)×3.81 |

N=Number of conacts

| Poles | A&B Tolerance |
|---------|---------------|
| 2P-4P | +0.15/-0.15 |
| 5P-8P | +0.20/-0.20 |
| 9P-16P | +0.30/-0.30 |
| 17P-24P | +0.40/-0.40 |



P.C.B. LAYOUT

Material

- Item 1 Clamp : Brass , Ni plated
- Item 2 Terminal screw : Steel Zinc plating "-" slot type
- Item 3 Wire guard solder pin : Brass , Tin plated
- Item 4 Terminal housing : Thermoplastic (UL94V-0)

Electrical

- △ ● Voltage rating: 300VAC
- Current rating: 10A
- Wire range:
- Solid wire(AWG): 16-24
- Stranded wire(AWG): 16-24
- Torque(Lb-In): 1.7
- Screw: M2
- Wire strip length: 5-6mm
- Withstanding Voltage: 1.6KV
- △ ● Operating temperature: -40°C to +115°C
- △ ● Soldering temperature: 250°C±10°C/5 Sec
- Safety Approval : US

RoHS Compliant

TOLERANCES ARE



煜倫股份有限公司

www.morethanall.com

DRAWING BY CY

CHECKED BY GENIUS

UNIT / mm

SCALE 1 : 1

DATE

SIZE A4

PPOJECTION

X, ±
.X ± 0.30
.XX ± 0.10
.XXX ±
ANG ±



ORDER INFORMATION

TBH038-D16-xx-LF

| | | |
|--------|--|-------------|
| SERIES | | LEADFREE |
| | | 02-24WAY |
| | | HIGH 16.2mm |
| | | DIP 180° |

DESCRIPTION: 3.81mm SERIES