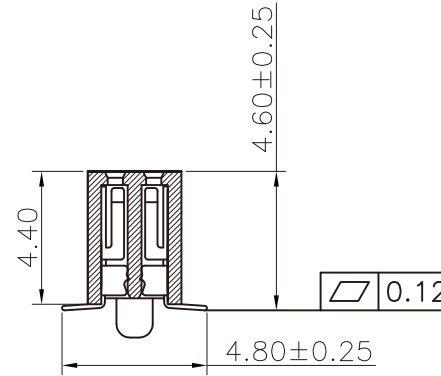
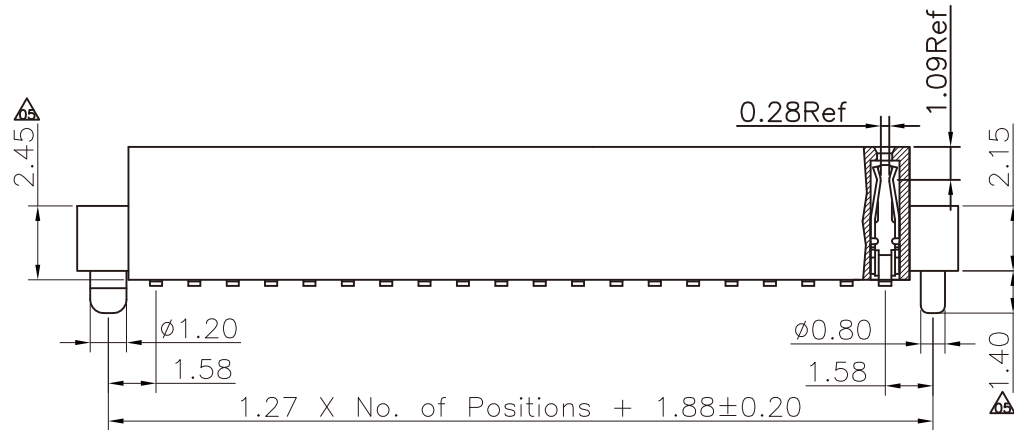


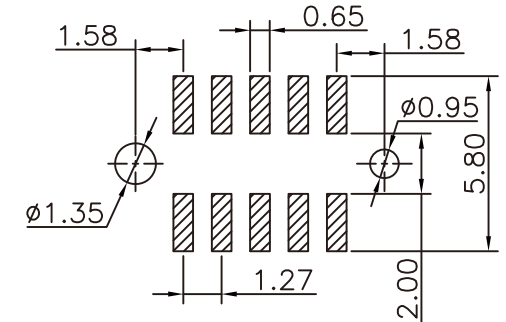
Specifications

Current Rating:1Amp
 Insulation Resistance:1000MΩMin.
 Dielectric Withstanding Voltage:300VAC
 Contact Resistance:20mΩMax.
 Operating Temperature:-40°C to +105°C
 Materials

▲ Contact Material:Phosphor Bronze
 Insulator Material:High Temperature Thermoplastic, UL 94V-0 LCP or the equivalent material



Recommended P.C.Board Layout
 (Tolerance:±0.05)



RoHS Compliant

TOLERANCES ARE

MORETHANALL
 PCB CONNECTORS
 Cable ASSEMBLIES

煜倫股份有限公司

www.morethanall.com

DRAWING BY CY

CHECKED BY GENIUS

UNIT / mm

SCALE 1 : 1

DATE

SIZE A4

X ± 0.30

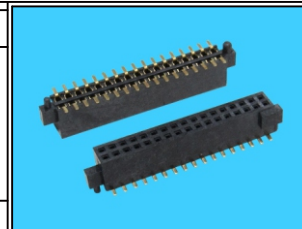
.X ± 0.25

.XX ± 0.15

.XXX ± 0.10

ANG ±

PJECTION



ORDER INFORMATION

YAB-V46P-2Xxx-LF

SERIES | LEADFREE
 180°SMT | 2X03:06WAY
 POST | 2X50:100WAY
 HIGH 4.6mm

DESCRIPTION: