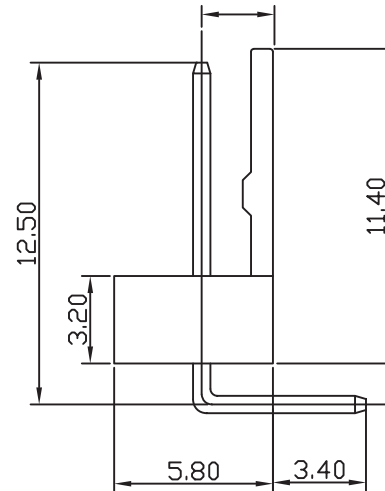
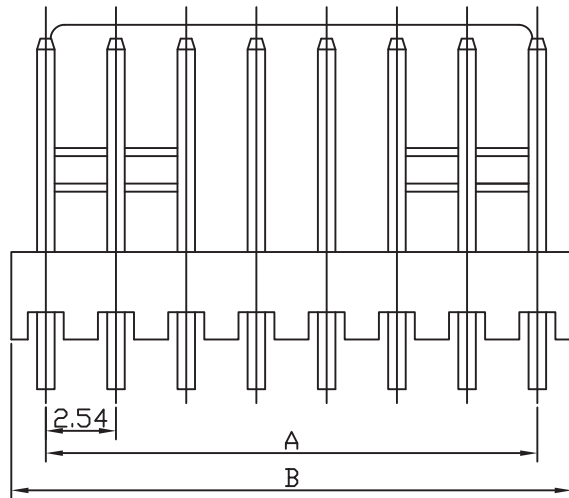
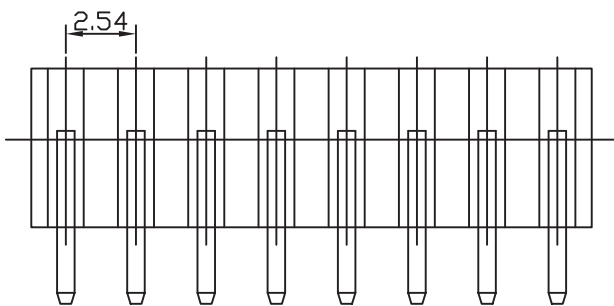


Specifications

Current Rating: 2A AC, DC
 Voltage Rating: 250 AC Maximum
 Operating Temp: -25°C ~ + 85°C
 Contact Resistance: 10MΩ Max
 Insulation Resistance: 1000MΩ Min
 Terminal Material: Brass/ Tin-plated/ Gold-plated
 Material: Nylon 66, UL94V-2



Poles	Dimension mm (in.)		Part No.
	A	B	
2	2.54(0.100)	5.12(0.202)	MK-R-02
3	5.08(0.200)	7.66(0.302)	MK-R-03
4	7.62(0.300)	10.20(0.402)	MK-R-04
5	10.16(0.400)	12.74(0.502)	MK-R-05
6	12.70(0.500)	15.30(0.602)	MK-R-06
7	15.24(0.600)	17.94(0.706)	MK-R-07
8	17.78(0.700)	20.48(0.806)	MK-R-08
9	20.32(0.800)	23.02(0.906)	MK-R-09
10	22.86(0.900)	25.58(1.007)	MK-R-10
11	25.40(1.000)	28.12(1.107)	MK-R-11
12	27.94(1.100)	30.68(1.208)	MK-R-12
13	30.48(1.200)	33.10(1.303)	MK-R-13
14	33.02(1.300)	35.80(1.409)	MK-R-14
15	35.56(1.400)	38.34(1.509)	MK-R-15
16	38.10(1.500)	40.94(1.612)	MK-R-16
17	40.64(1.600)	43.30(1.705)	MK-R-17
18	43.18(1.700)	45.90(1.807)	MK-R-18
19	45.72(1.800)	48.56(1.912)	MK-R-19
20	48.26(1.900)	50.80(2.000)	MK-R-20



RoHS Compliant

TOLERANCES ARE

MORETHANALL
 PCB CONNECTORS
 Cable ASSEMBLIES

DRAWING BY CY

CHECKED BY GENIUS

UNIT/ mm SCALE 1:1

DATE

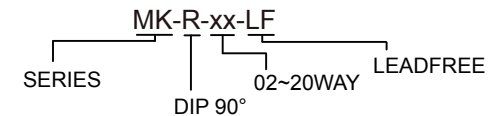
SIZE A4

X, ±
 X ± 0.35
 .XX ± 0.25
 .XXX ±
 ANG ±

PJECTION



ORDER INFORMATION



煜倫股份有限公司

www.morethanall.com

DESCRIPTION: 2.54mm Wire-to-Board Header DIP 90° Type