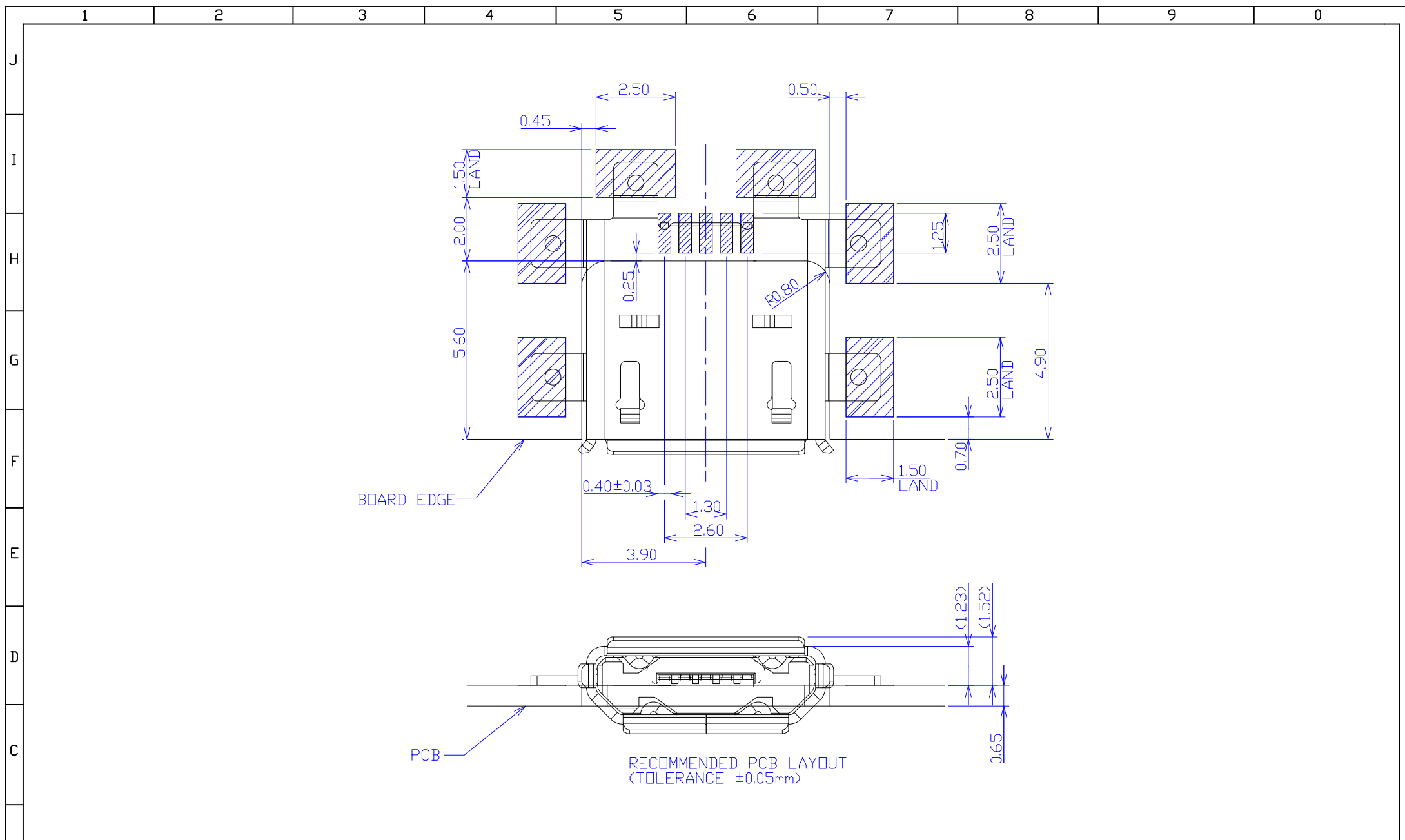


MISB-SWF6R-5B-LF  
LEADFREE  
RoHS Compliant

	PART NO. MISB-SWF6R-5B		TOLERANCES ARE .X ± 0.2 .XX ± .XXX ± AWG	DESCRIPTION: MICRO USB CONNECTOR RECEPTACLE MID-MOUNT B TYPE.
	DWG NO. MISB-SWF6R-5B			
焯倫股份有限公司	FILE NO.		DRAWING BY	AREA    REVISIONS    HK    DATE
	UNIT / mm	SCALE 1:1	PROJECTION	



**MORETHANALL**  
CONNECTORS  
ASSEMBLIES

PART NO. MISB-SWF6R-5B

DWG NO. MISB-SWF6R-5B

CHECKED BY CY

TOLERANCES ARE

DESCRIPTION:

FILE NO.

DRAWING BY

.X  $\pm 0.2$   
.XX  $\pm$   
.XXX  $\pm$   
AWG

煜倫股份有限公司

UNIT / mm

SCALE 1:1

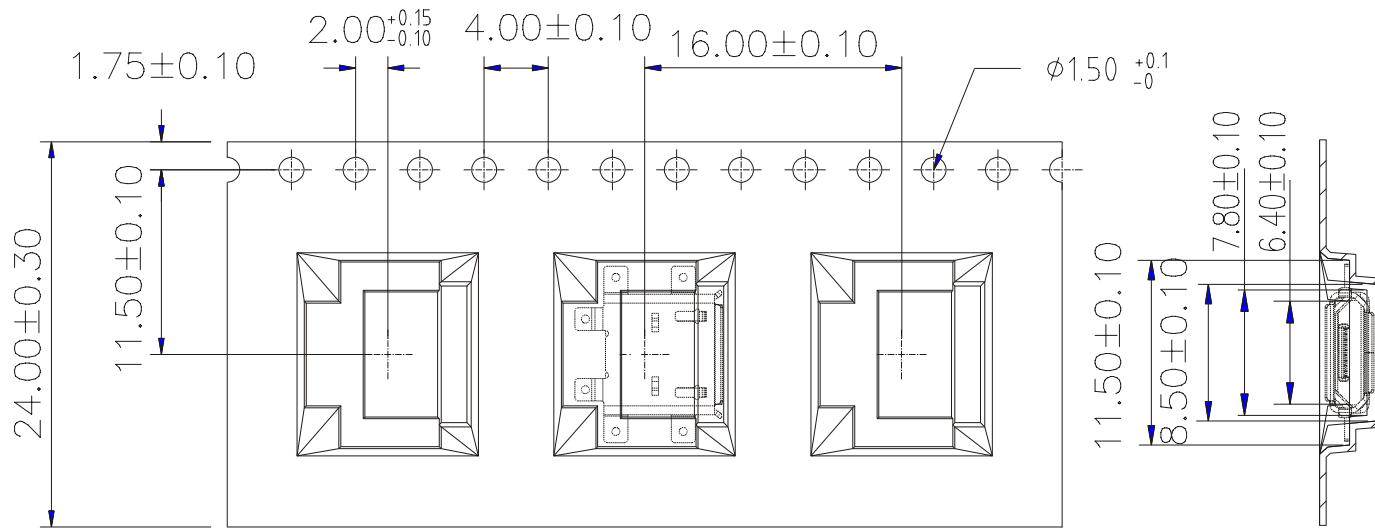
PROJECTION

AREA

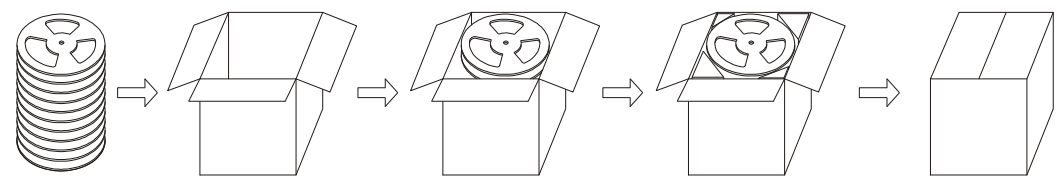
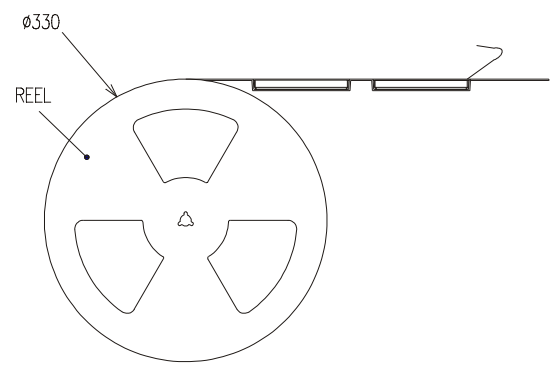
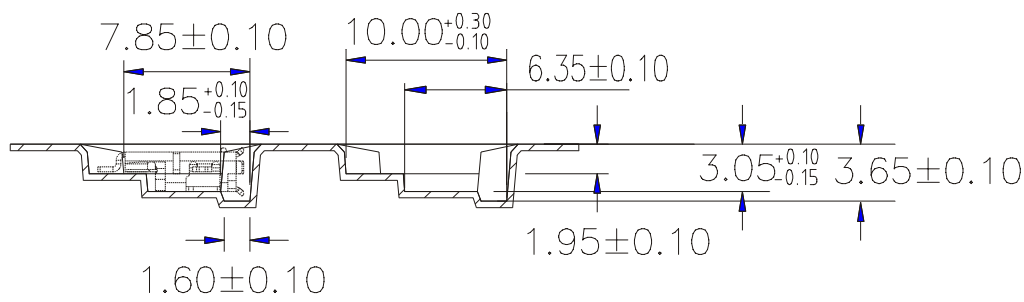
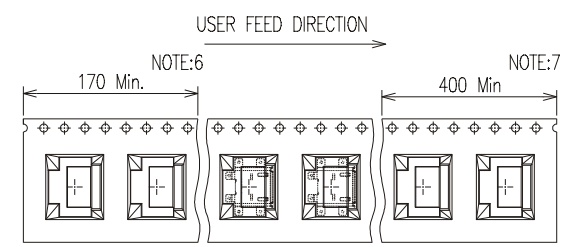
REVISIONS

HK

DATE



- NOTE:
1. USED ON MICRO USB 5PIN RECEP. STANDRAD TYPE(MUC61)CONNECTOR.
  2. PACKAGE 1000 PCS/REEL, 10 REEL/BOX.
  3. MATERIAL: Block Conductive Polystyrene Alloy (UP-6132).
  4. THICKNESS: 0.35±0.05mm.
  5. APPLICABLE DOCUMENTS: EIA-481-C
  6. AFTER UNREELING DIRECTION MUST HAVE 170mm Min. (11PCS BLANK)
  7. BEFORE UNREELING DIRECTION MUST HAVE 400mm Min. (25PCS BLANK)



Packaging View

**MORETHANALL**  
CONNECTORS  
ASSEMBLIES

煜倫股份有限公司

PART NO. MISB-SWF6R-5B		CHECKED BY CY		TOLERANCES ARE .X ± 0.2 .XX ± .XXX ± AWG	DESCRIP TION: MICRO USB SERIES, RECEP. CONN., 5 Pin, SMT TYPE CUSTOMER DRAWING	AREA	REVISIONS	HK	DATE
DWG NO. MISB-SWF6R-5B		DRAWING BY							
FILE NO.		PROJECTION							
UNIT / mm	SCALE 1:1								