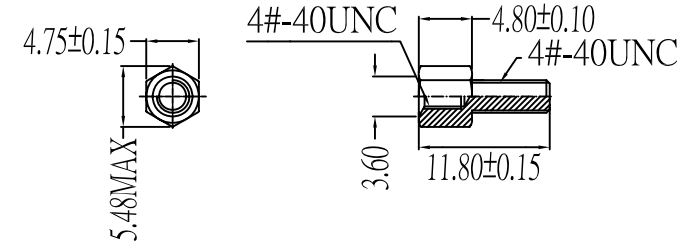
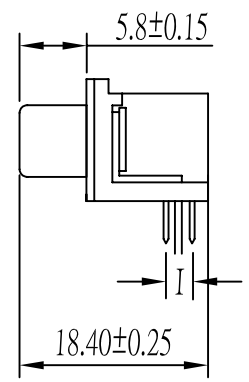
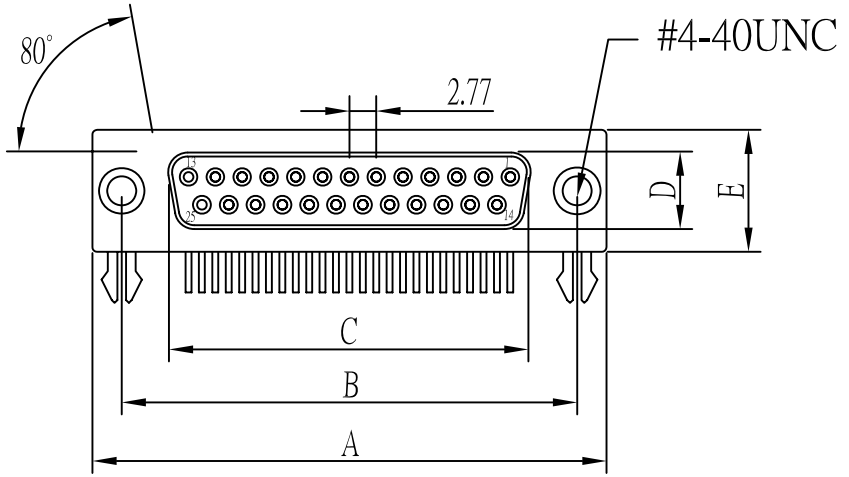


P.C.B. LAYOUT  
\*\*\*\*\*



- Note:
- Material:
    - Insulator: High temperature thermoplastic with g.f,UL94v-0
    - Contact: Copper alloy,t=0.20mm
    - Shell: Spcc,t=0.30mm
  - Specification:
    - Current rating: 1 A Max.
    - Dielectric withstanding voltage: 750 V(ac) for 1 min.
    - Contact resistance: 30 mW Max.
    - Insulation resistance: 1000 MW Min.
    - Total mating force: 7.0 Kgf Max.
    - Total unmating force: 1.5 Kgf Min.
    - Temperature range: -55°C~85°C
  - Contact Plated: Selective Gold over Nickel Plated.

DR-SGNH-xx-LF  
LEADFREE  
RoHS Compliant

PART NO.	A±0.25	B±0.2	C±0.2	D±0.2	E±0.2	I±0.1
DR-SGNH-09	30.81	24.99	16.33	7.90	12.55	2.84
DR-SGNH-15	39.25	33.32	24.66	7.90	12.55	2.84
DR-SGNH-25	53.04	47.04	38.38	7.90	12.55	2.84
DR-SGNH-37	69.32	63.50	54.84	7.90	12.55	2.84



PART NO. DR-SGNH-xx		CHECKED BY CY		TOLERANCES ARE .X ±0.3 .XX ±0.2 .XXX ±0.1 AWG
DWG NO. DR-SGNH-xx		DRAWING BY		
UNIT / mm	SCALE 1:1	PROJECTION		

DESCRIPTION:	D-SUB RIGHT ANGLE P. B. C TYPE (F)			
AREA	REVISIONS	HK	DATE	

煜倫股份有限公司