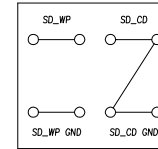
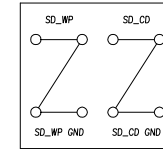


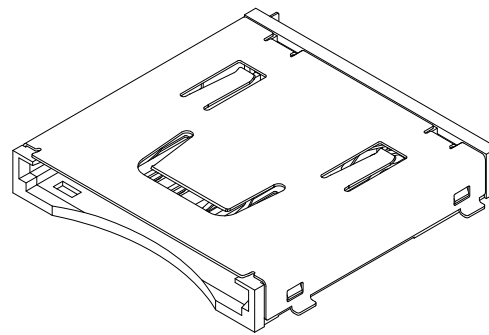
WITHOUT CARD



CARD INSERTED  
WRITE PROTECT : LOCK



CARD INSERTED  
WRITE PROTECT : UNLOCK



**RoHS Compliant**

TOLERANCES ARE

**MORETHANALL**  
PCB CONNECTORS  
Cable ASSEMBLIES

DRAWING BY CY

X, ±

CHECKED BY GENIUS

.X ±

UNIT / mm

SCALE 1 : 1

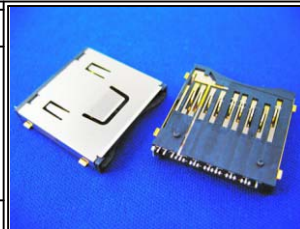
.XXX ±

DATE

ANG ±

SIZE A4

P PROJECTION



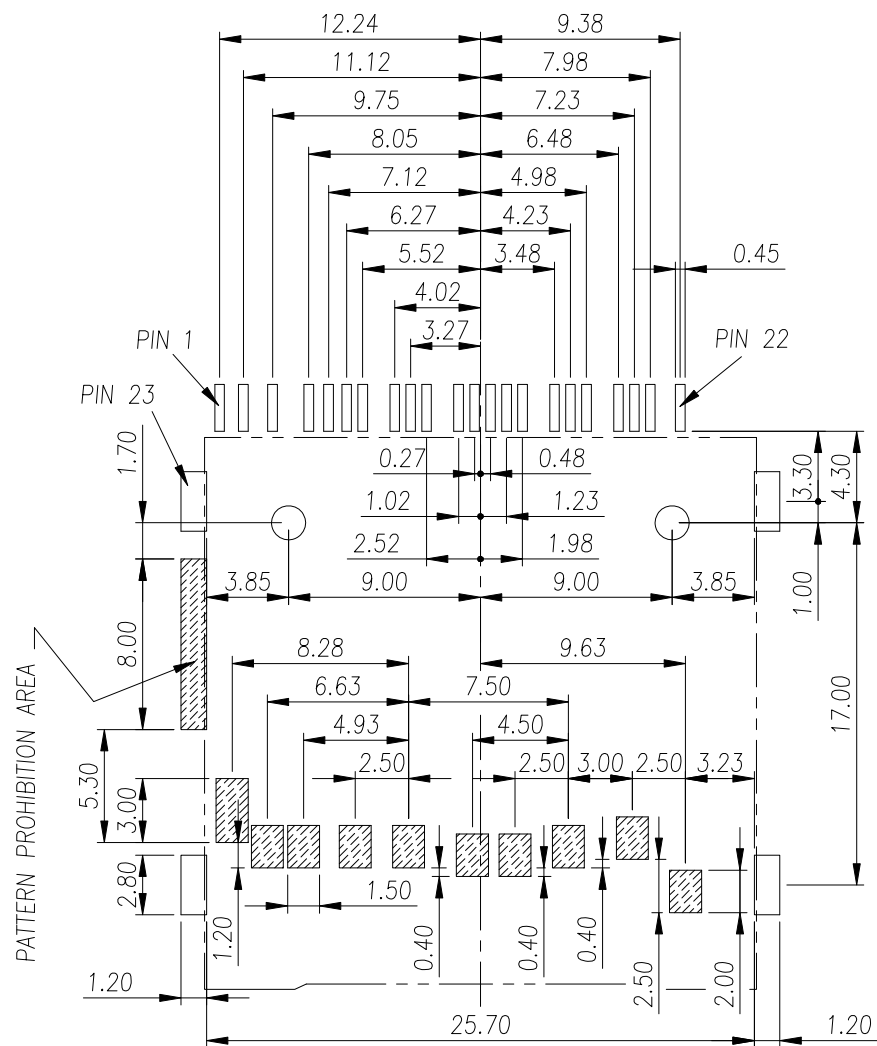
**ORDER INFORMATION**

**MHC-W18-301-LF**  
SERIES | LEADFREE  
3 IN 1  
POST TO POST 18.0mm  
90°SMT

**煜倫股份有限公司**

[www.morethanall.com](http://www.morethanall.com)

DESCRIPTION: 3 IN 1 CONNECTOR MANUAL TYPE FOR MS,SD,MMC



P.C.B Layout ( Top View )

PIN	NAME	PIN	NAME	PIN	NAME
1	SD_CD	9	SD_CLK/SCLK	17	SD_CMD/DI
2	SD_WP	10	MS_DATA1	18	MS_SCLK
3	SD_DAT1	11	MS_SDIO/DATA0	19	MS_VCC
4	SD_DAT0	12	SD_VDD	20	SD_CD/DAT3
5	SD_WP_GND	13	MS_DATA2	21	MS_VSS
6	SD_VSS2	14	SD_VSS1	22	SD_DAT2
7	MS_VSS	15	MS_INS	23	SD_CD_GND
8	MS_BS	16	MS_DATA3		

**MORETHANALL**  
PCB CONNECTORS  
Cable ASSEMBLIES

煜倫股份有限公司

www.morethanall.com

**RoHS Compliant**

DRAWING BY CY

CHECKED BY GENIUS

UNIT / mm SCALE 1 : 1

DATE

SIZE A4

TOLERANCES ARE

X. ±

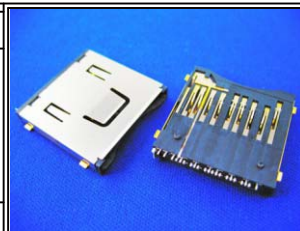
.X ±

.XX ±

.XXX ±

ANG ±

PJECTION



**ORDER INFORMATION**

**MHC-W18-301-LF**

SERIES | LEADFREE

3 IN 1

POST TO POST 18.0mm

90°SMT

DESCRIPTION: 3 IN 1 CONNECTOR MANUAL TYPE FOR MS,SD,MMC