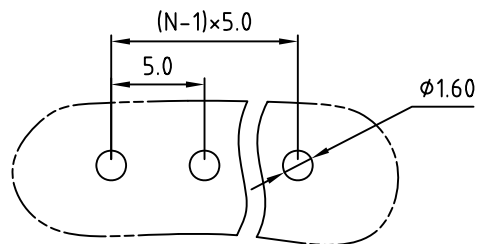
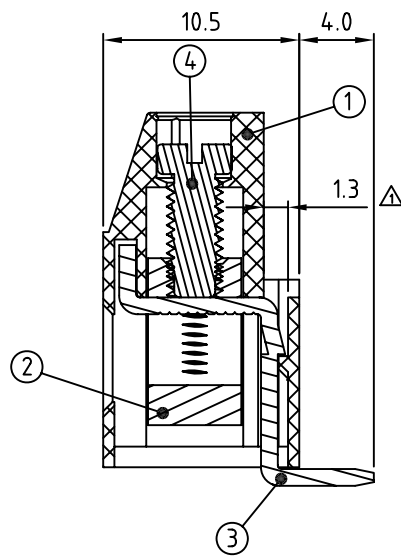


N=Number of contacts



P.C.B LAYOUT

Material:

- Item 1 Insulator(housing):Thermoplastic (UL 94V-0)
- Item 2 Metal housing: Brass
- Item 3 Contacts:Brass
- Item 4 Terminal screw: Steel Zinc plating"-slot type

Electrical

- Voltage rating: 300VAC
- Current rating: 20A
- Solid wire(AWG): 12-30
- Stranded wire(AWG): 12-30
- Torque(Lb-In): 3.5
- Screw: M3
- Wire strip length: 6-7mm
- Withstanding Voltage: 1.6KV
- Operating temperature: -30°C to +105°C
- ⚠ ● Soldering temperature: 250°C±10°C/5 Sec
- Safety Approval: us

TBH050-R19-xx-LF
LEADFREE

RoHS Compliant



PART NO. TBH050-R19-xx

DWG NO. TBH050-R19-xx

FILE NO.

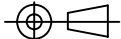
UNIT / mm

SCALE 1:1

CHECKED BY CY

DRAWING BY

PROJECTION



TOLERANCES ARE

.X ± 0.2
.XX ±
.XXX ±
AWG

DESCRIP TION:

AREA

REVISIONS

HK

DATE

煜倫股份有限公司