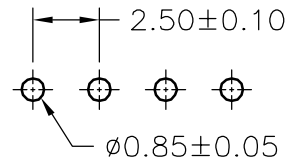
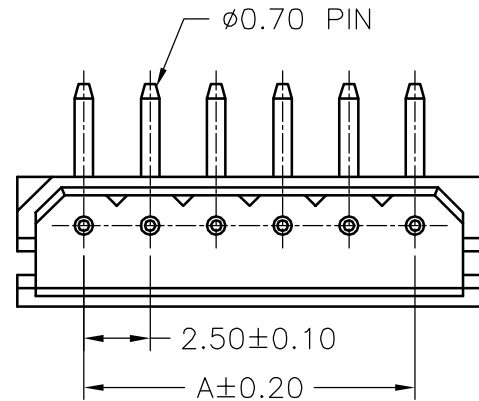
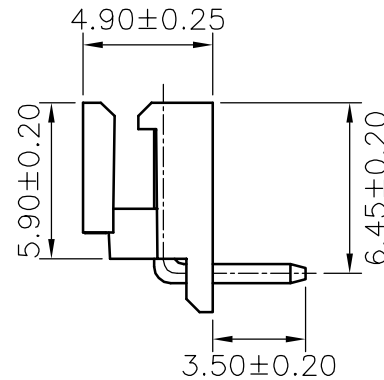
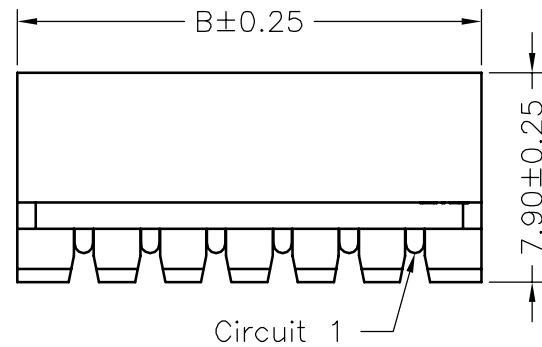


SPECIFICATIONS

Current Rating: 3A AC,DC
 Voltage Rating: 250V AC,DC
 Temperature Range: -25°C ~ +85°C
 Contact Resistance: 20mΩ Max
 Insulation Resistance: 1000MΩ Min
 Withstanding Voltage: 1000V AC/minute
 Pin Material: Brass/Tin-plated
 Material: Nylon 66,UL94V-0
 Pantone Color: 7506C



P.C.B LAYOUT



Ordering Information & Dimensions

PART NO.	Dimensions	
	A	B
MW-R-02	2.50	7.50
MW-R-03	5.00	10.00
MW-R-04	7.50	12.50
MW-R-05	10.00	15.00
MW-R-06	12.50	17.50
MW-R-07	15.00	20.00
MW-R-08	17.50	22.50
MW-R-09	20.00	25.00
MW-R-10	22.50	27.50
MW-R-11	25.00	30.00
MW-R-12	27.50	32.50
MW-R-13	30.00	35.00
MW-R-14	32.50	37.50
MW-R-15	35.00	40.00
MW-R-16	37.50	42.50

RoHS Compliant

TOLERANCES ARE

MORETHANALL
 PCB CONNECTORS
 Cable ASSEMBLIES

煜倫股份有限公司

www.morethanall.com

DRAWING BY CY

CHECKED BY GENIUS

UNIT / mm

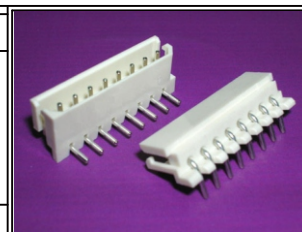
SCALE 1:1

DATE

SIZE A4

PJECTION

X. ±
 .X ±
 .XX ±
 .XXX ±
 ANG ±



ORDER INFORMATION

MW-R-xx-LF
 SERIES | LEADFREE
 | 02~16WAY
 | DIP 90°

DESCRIPTION: 2.50mm PITCH 90 WAFER