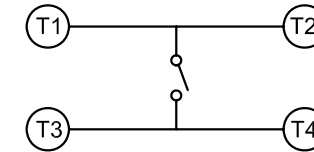
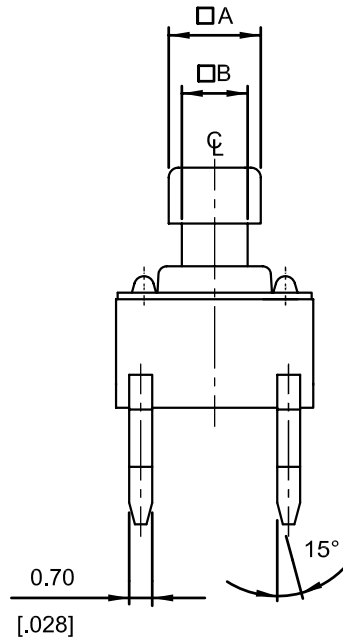
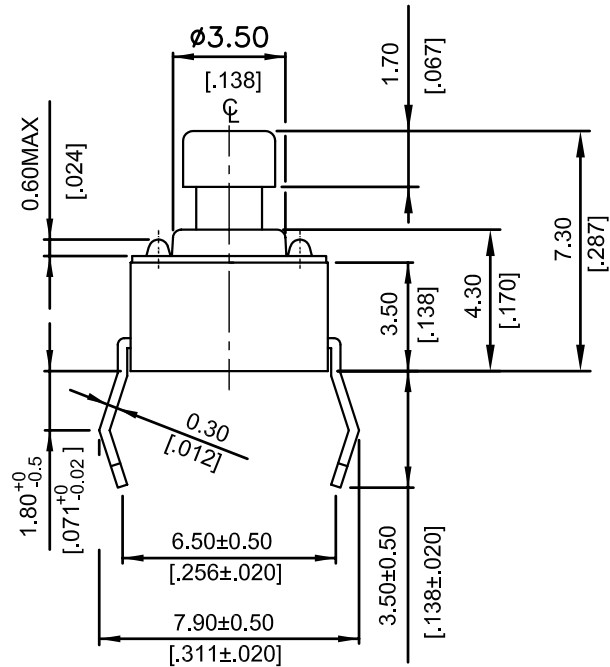
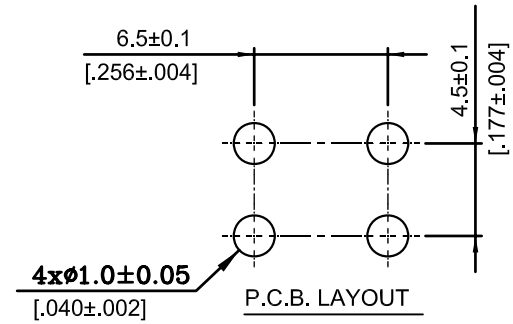


NOTE:

1. ALL DIMENSIONS ARE IN MILLIMETERS, BRACKETED DIMENSIONS ARE IN INCHES.
2. GENERAL TOLERANCES MAX.±0.20mm.



CIRCUIT DIAGRAM

RoHS Compliant

TOLERANCES ARE

MORETHANALL
PCB CONNECTORS
Cable ASSEMBLIES

DRAWING BY CY

X.±

CHECKED BY GENIUS

.X±

UNIT / mm

SCALE 1 : 1

.XX±

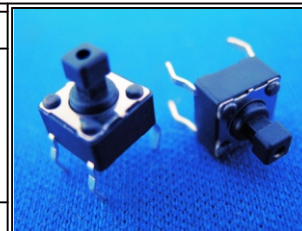
DATE

.XXX±

ANG±

SIZE A4

PJECTION



ORDER INFORMATION

TSW66-DQ073-100-LF

SERIES	LEADFREE
100g	
HIGH 7.3mm	
4 PIN	
DIP 180°	

煜倫股份有限公司

www.morethanall.com

DESCRIPTION: TACTILE SWITCH 6X6 7.3S (MECHANICAL CONTACT TYPE)