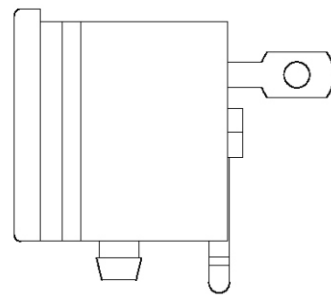
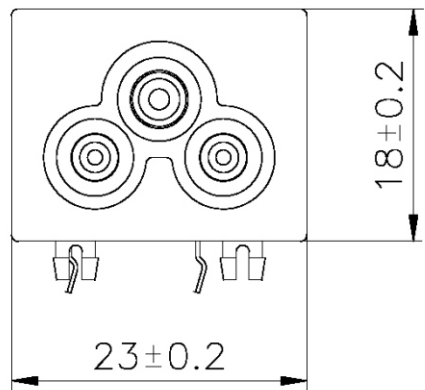


1 2 3 4 5 6 7 8 9 0

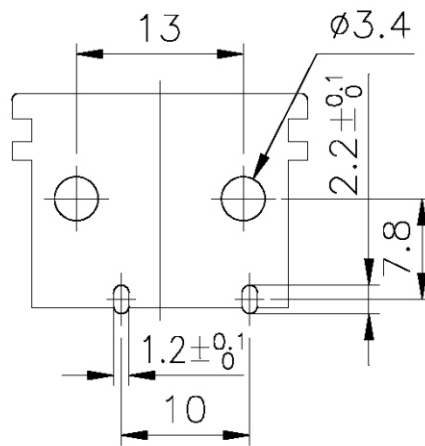
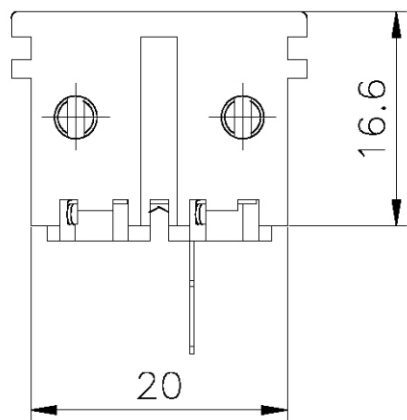
J
I
H
G
F
E
D
C
B
A



STANDARD: IEC 320 C6
 RATING: 2.5A/250V AC
 APPROVALS: UL/CSA/VDE/NEMKO

ACR-PRP-03-LF
 LEADFREE

RoHS Compliant



Panel Cutout



PART NO. ACR-PRP-03		CHECKED BY CY	TOLERANCES ARE .X ± 0.2 .XX ± .XXX ± AWG	DESCRIP TION:			
DWG NO. ACR-PRP-03							
FILE NO.		DRAWING BY	AREA REVISIONS HK DATE				
UNIT / mm	SCALE 1:1	PROJECTION					

煜倫股份有限公司