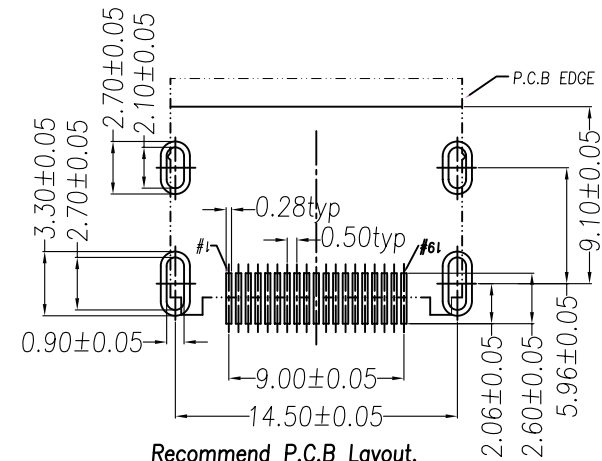
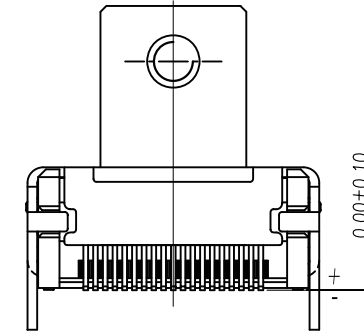


1. MATERIAL :
  - 1-1. HOUSING : LCP UL94V-0 ; COLOR : BLACK
  - 1-2. CONTACT : PHOSPHOR BRONZE
  - 1-3. SHELL : BRASS
2. FINISH :
  - 2-1. CONTACT : SEE TABLE A MIN. GOLD PLATED  
SOLDER AREA : MATTE TIN.  
UNDER PLATE : NICKEL
  - 2-2. SHELL : SEE TABLE A



Recommend P.C.B Layout.

RoHS Compliant

TOLERANCES ARE

**MORETHANALL**  
PCB CONNECTORS  
Cable ASSEMBLIES

煜倫股份有限公司

www.morethanall.com

DRAWING BY CY

CHECKED BY GENIUS

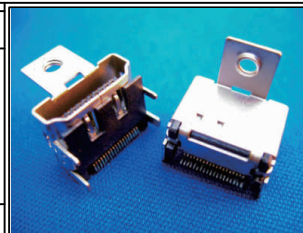
UNIT/mm  
DATE

SCALE 1:1

SIZE A4

PJECTION

X. ±  
.X ±  
.XX ±  
.XXX ±  
ANG ±



ORDER INFORMATION

HDMI-SWMN-19-LF  
SERIES | LEADFREE  
NUT | 19WAY  
METAL FOOT  
90° SMT  
FEMALE

DESCRIPTION: HDMI 19PIN(F) 板端SMT標準式