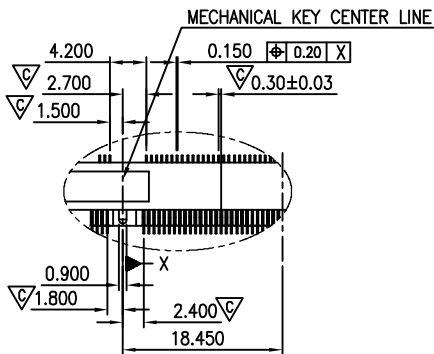
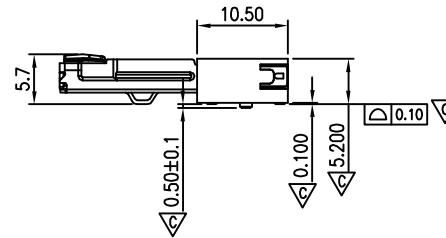
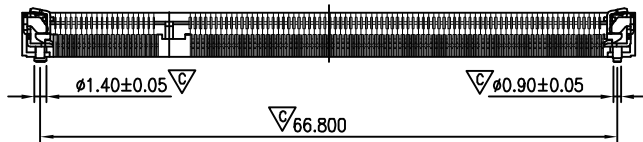


DETAIL-B-B
SCALE:2/1



POWER SUPPLY 2.5V

DETAIL A VOLTAGE OPTION

	C±0.17	D±0.17
2.5V	16.47	53.37

NOTES:

MATERIAL:

1. HOUSING: LCP WITH 30% G.F UL 94V-0
2. CONTACT: BRASS
3. LATCH: STAINLESS

FINISH:

1. CONTACT: GOLD ON CONTACT AND SOLDER TAIL, AREA ALL WITH ENTIRE CONTACT NICKEL UNDER-PLATED.
 2. LATCH: 60~100u" SN ONLY PLATING OVER 50u" MIN. NICKEL UNDERPLATING
- "▽" CRITICAL DIMENSION

RoHS Compliant

TOLERANCES ARE

MORETHANALL
PCB CONNECTORS
Cable ASSEMBLIES

煜倫股份有限公司

www.morethanall.com

DRAWING BY CY

CHECKED BY GENIUS

UNIT/mm

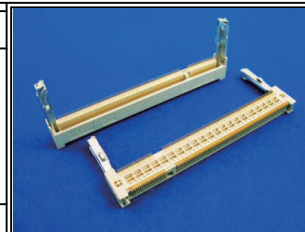
SCALE 1:1

DATE

SIZE A4

PJECTION

X, ±
X ± 0.2
.XX ± 0.1
.XXX ±
ANG ±

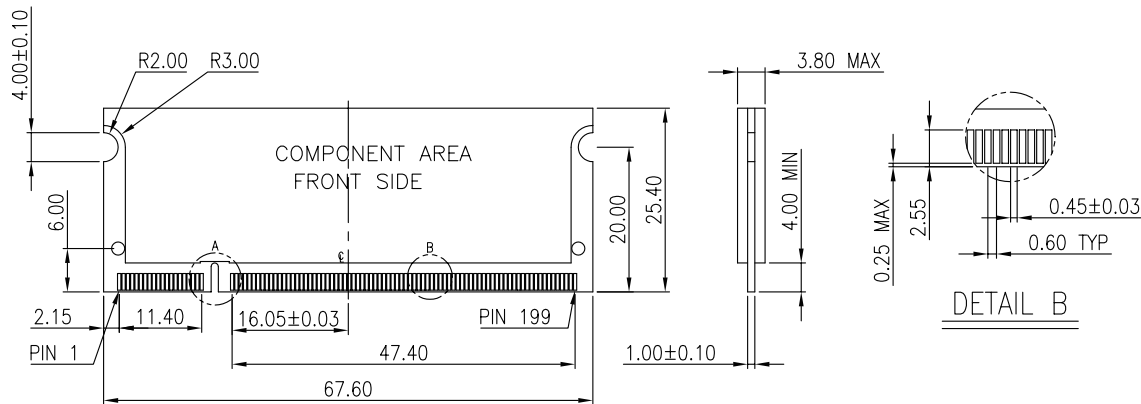


ORDER INFORMATION

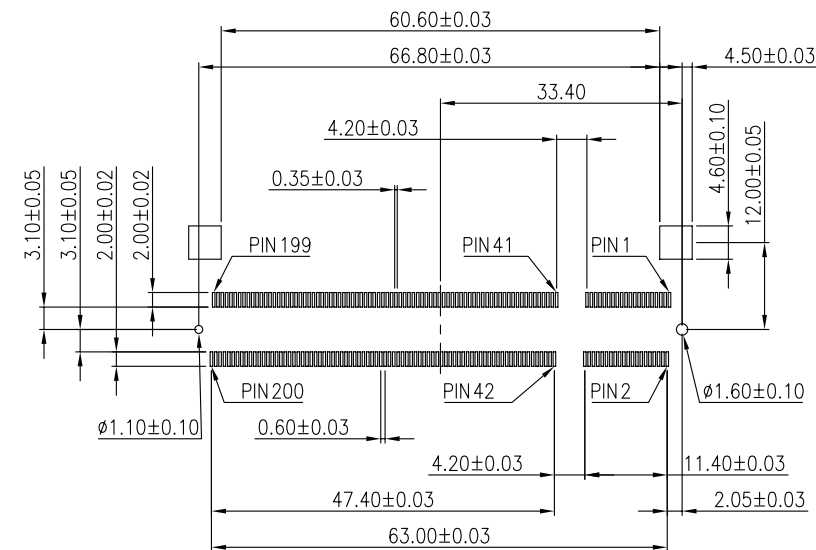
SDM6-W52V25-A640-LF

SERIES | 2.5V | LEADFREE
160+40 WAY
HIGH:5.2mm
90°SMT

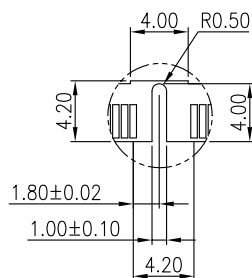
DESCRIPTION: DDR S.O.DIMM SOCKET 0.6MM PITCH,200 PIN. 5.2MM HEIGHT, REVERSED,



DETAIL B

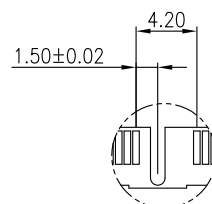


RECOMMENDED P.C. BOARD LAYOUT.



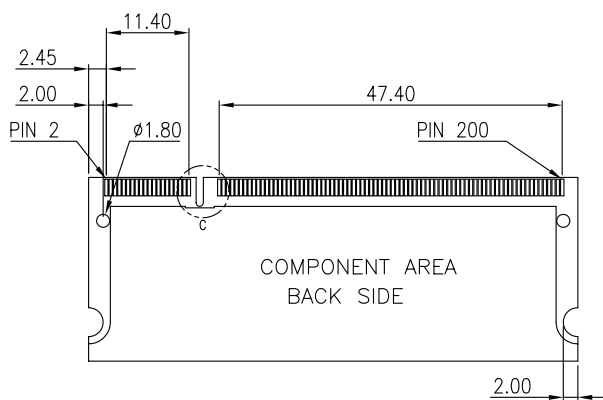
2.5 V

DETAIL A

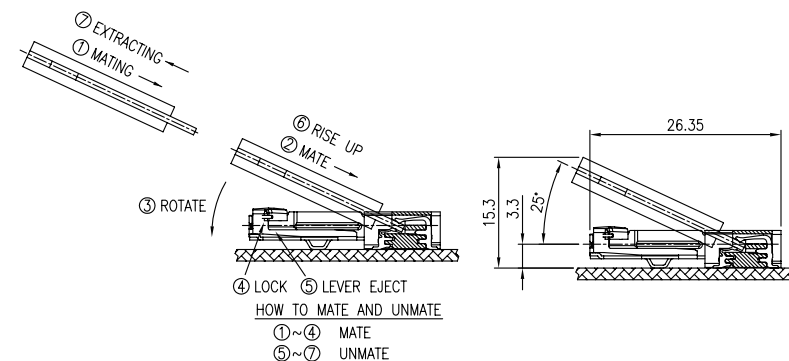


2.5 V

DETAIL C



RECOMMENDED MODULE CONFIGURATION.



RoHS Compliant

TOLERANCES ARE

MORETHANALL
PCB CONNECTORS
Cable ASSEMBLIES

煜倫股份有限公司

www.morethanall.com

DRAWING BY CY

CHECKED BY GENIUS

UNIT/mm

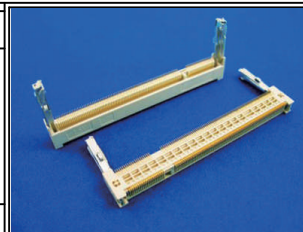
SCALE 1:1

DATE

SIZE A4

PJECTION

X, ±
.X ± 0.2
.XX ± 0.1
.XXX ±
ANG ±

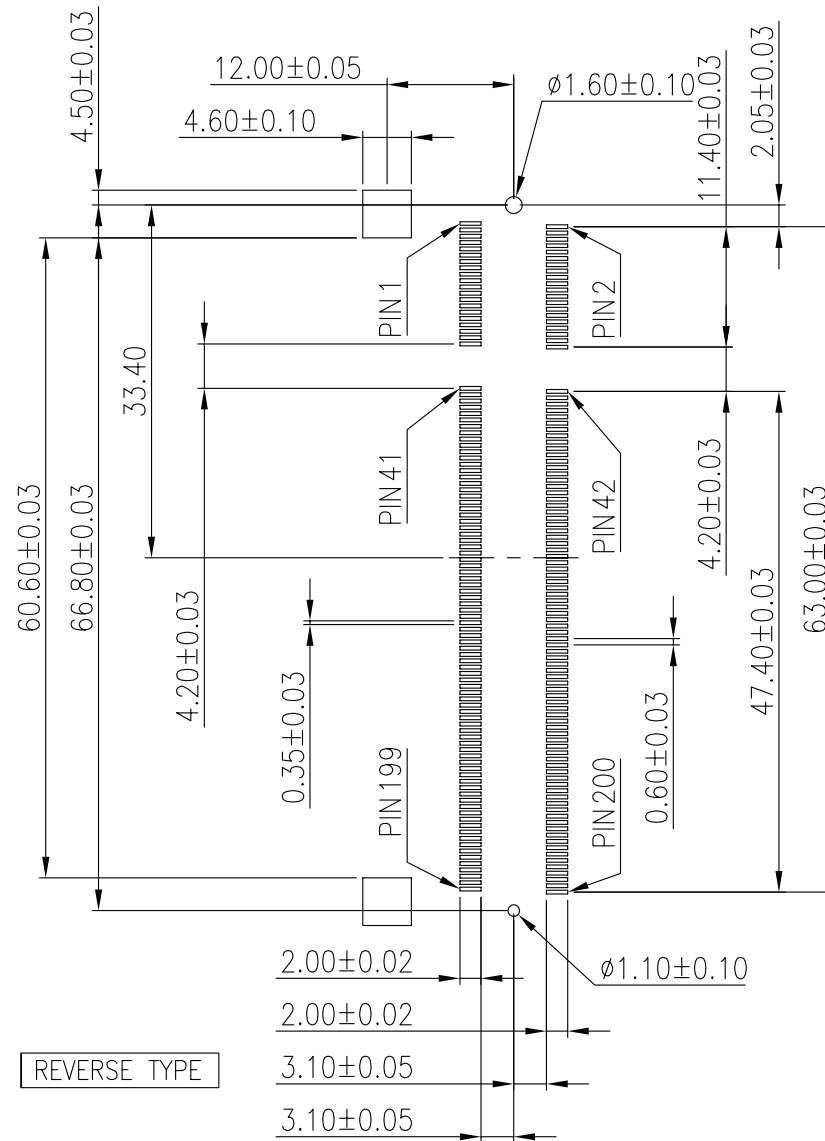


ORDER INFORMATION

SDM6-W52V25-A640-LF

SERIES | LEADFREE
2.5V | 160+40 WAY
HIGH:5.2mm
90°SMT

DESCRIPTION: DDR S.O.DIMM SOCKET 0.6MM PITCH,200 PIN.
5.2MM HEIGHT, REVERSED,



REVERSE TYPE

MORETHANALL
PCB CONNECTORS
Cable ASSEMBLIES

煜倫股份有限公司

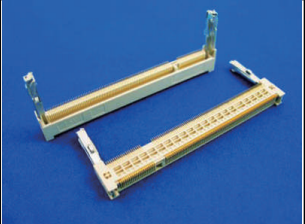
www.morethanall.com

RoHS Compliant

DRAWING BY CY
CHECKED BY GENIUS
UNIT/mm SCALE 1:1
DATE

TOLERANCES ARE
X.±
.X±0.2
.XX±0.1
.XXX±
ANG±

SIZE A4 PROJECTION



ORDER INFORMATION

SDM6-W52V25-A640-LF
SERIES | 2.5V | HIGH:5.2mm | 160+40 WAY | LEADFREE
90°SMT

DESCRIPTION: DDR S.O.DIMM SOCKET 0.6MM PITCH,200 PIN. 5.2MM HEIGHT, REVERSED,