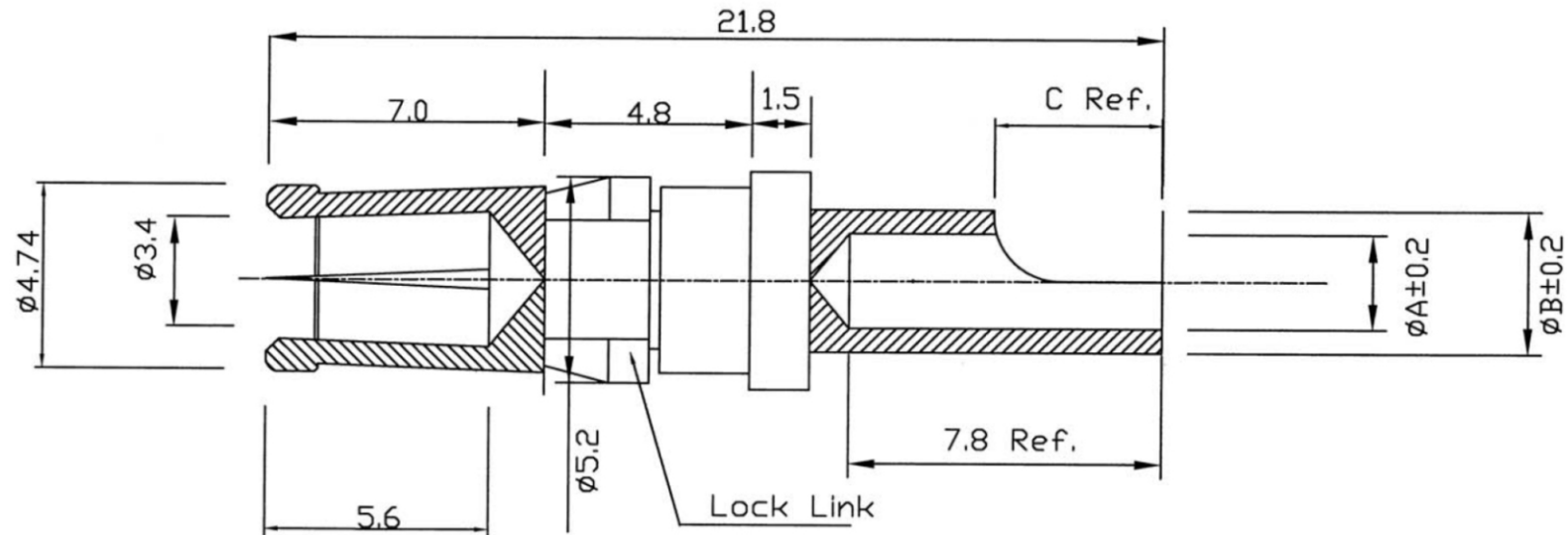


Current Rating (AMP)	Wire Size	Dimension	
		ø A	ø B
40	AWG#08	4.6(.181)	5.5(2.17)
30	AWG#10	3.6(.142)	4.6(.181)
20	AWG#12	2.7(.106)	3.6(.142)
10	AWG#16	1.7(.067)	2.5(.098)
5	AWG#26	1.0(.039)	1.7(.067)



2.	Body Contact	Brass	Gold Plated over Nickel
1.	Lock Link	Brass	Nickel Plated
ND.	Description	Material	Finished or others

RoHS Compliant

TOLERANCES ARE

**MORETHANALL**  
PCB CONNECTORS  
Cable ASSEMBLIES

煜倫股份有限公司

www.morethanall.com

DRAWING BY CY

CHECKED BY GENIUS

UNIT / mm SCALE 1 : 1

DATE

SIZE A4

X. ±

.X ±

.XX ±

.XXX ±

ANG ±

PJECTION



ORDER INFORMATION

DWS-F-xx-LF

SERIES | LEADFREE

40:40AMP

30:30AMP

20:20AMP

FEMALE 10:10AMP

05: 5AMP

DESCRIPTION: