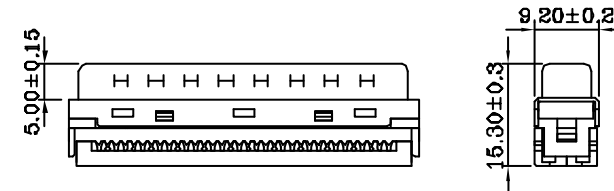
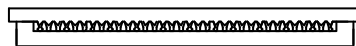
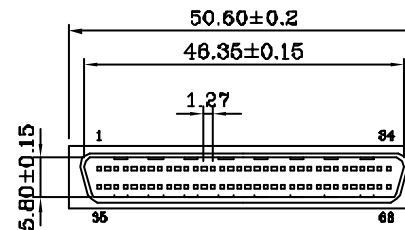
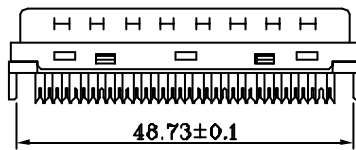
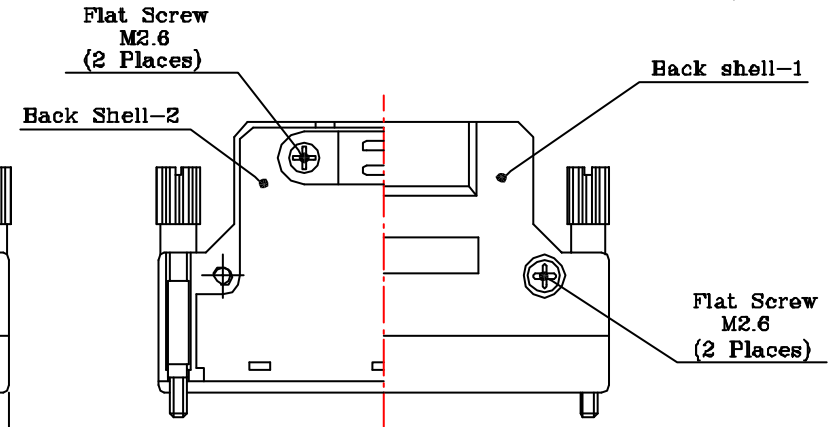
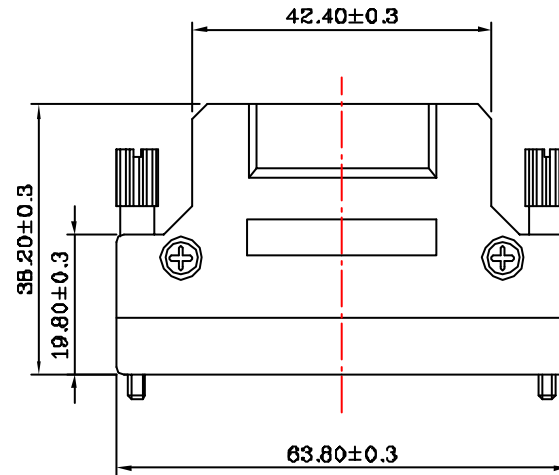
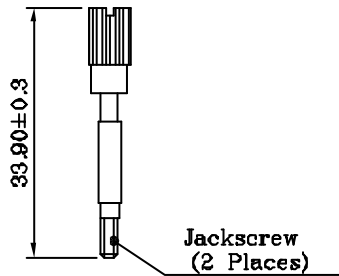
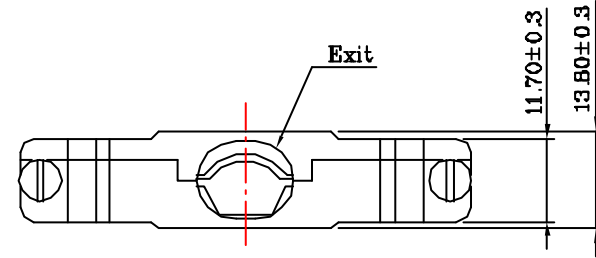
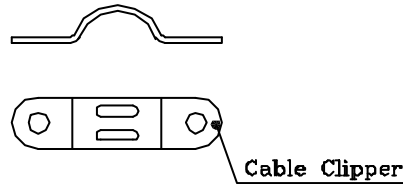


**FEATURES:**

- Round cable straight exit
- Strain Relief Staple With Jackscrew
- Back shell desing by Die-Cast
- Excellent EMI/RFI protection

**MATERIALS:**

- Back Shell: Zinc plated nickel over copper
- Jackscrews: steel nickel plated over copper
- Screw: steel nickel plated over copper
- Cable Clipper: steel nickel plated



RoHS Compliant

TOLERANCES ARE

**MORETHANALL**  
PCB CONNECTORS  
Cable ASSEMBLIES

DRAWING BY CY

X, ±

CHECKED BY GENIUS

.X ±

UNIT / mm

SCALE 1 : 1

.XX ±

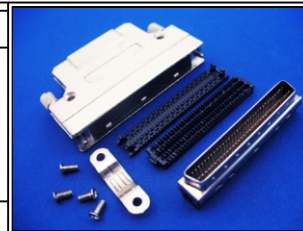
DATE

.XXX ±

ANG ±

SIZE A4

PJECTION



ORDER INFORMATION

HPD-PFM-068-LF  
SERIES | LEADFREE  
| 68 WAY  
| METAL COVER  
IDC  
MALE

煜倫股份有限公司

www.morethanall.com

DESCRIPTION: