

Pin Number	Signal Name	Pin Number	Power Line Designation
S1	GND	P1	DP
S2	A+	P2	+5V
S3	A-	P3	+5V
S4	GND	P4	MD
S5	B-	P5	GND
S6	B+	P6	GND
S7	GND		

Notes:

*Material

Housing: LCP+50%GF, UL 94V-0 rated;
 Color: Black.
 Contact: Phosphor Bronze
 Plating: Gold Plating over Nickel(40~80u") on contact area
 Tin(100~250u") plating on solder Tail.
 Harpoon: Brass
 Plating: Tin(100~250u")Plating Over Nickel(40~80u");

*Mechanical

Insertion Force: 45N max.
 Withdrawal Force: 10N min.
 Durability: 500 cycles

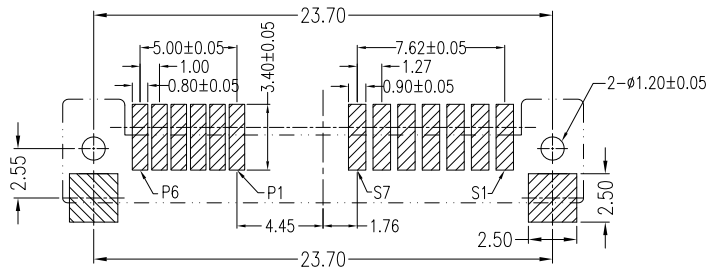
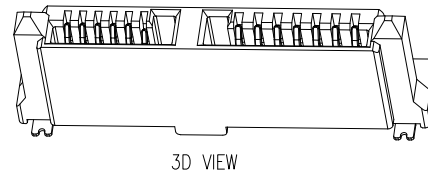
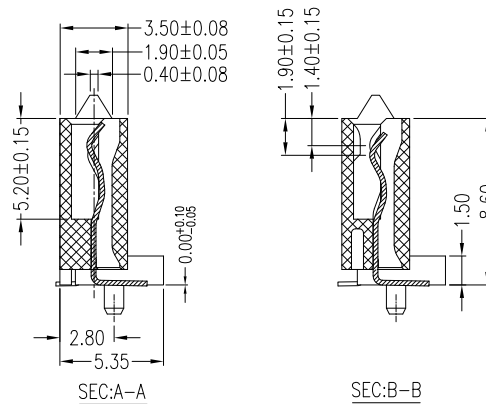
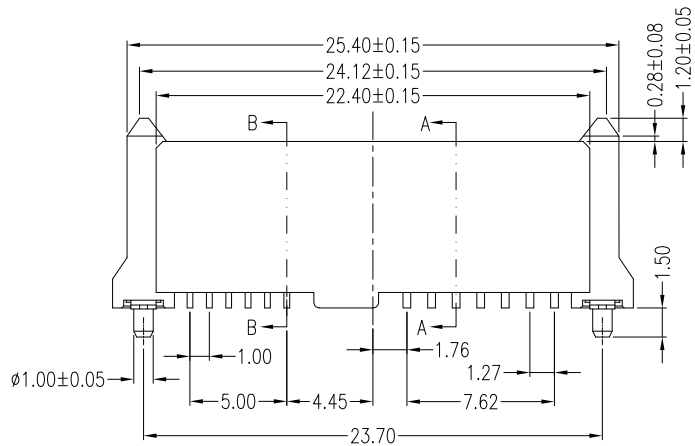
*Electrical Specification

Current Rating: 1.5 Ampere per contact
 Contact Resistance: 30mΩ max.
 Insulation Resistance: 1000MΩ min.
 Dielectric Withstanding Voltage: 500 VAC

*Environmental

Operating Temperature: -55°C to +85°C

*Products in line with environmental regulations:



RECOMMENDED PCB LAYOUT

RoHS Compliant

TOLERANCES ARE

MORETHANALL
 PCB CONNECTORS
 Cable ASSEMBLIES

DRAWING BY CY

X, ±

CHECKED BY GENIUS

.X ±

UNIT / mm

SCALE 1 : 1

.XX ±

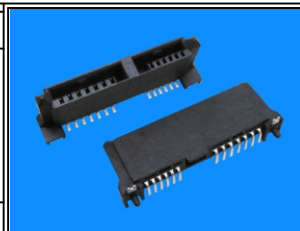
.XXX ±

ANG ±

DATE

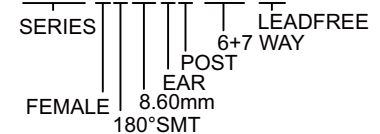
SIZE A4

PJECTION



ORDER INFORMATION

SATA-SV08EP-6+7-LF



DESCRIPTION: S ATA 7+6P Vertical SMT Female (With Post)

煜倫股份有限公司

www.morethanall.com