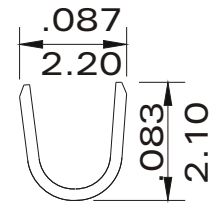
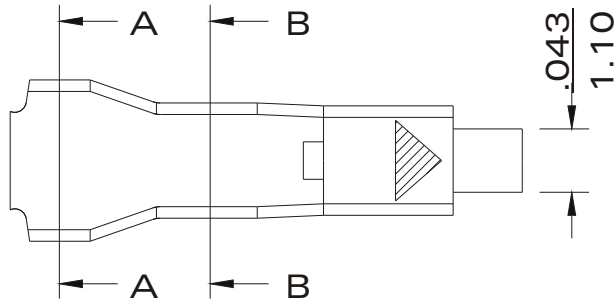


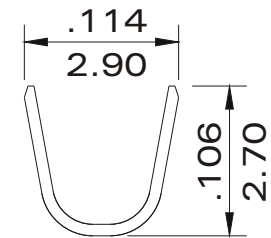
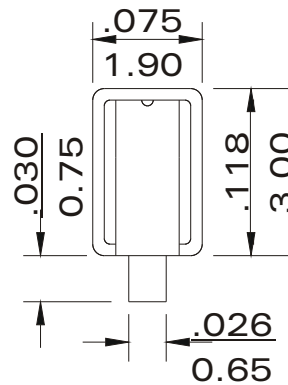
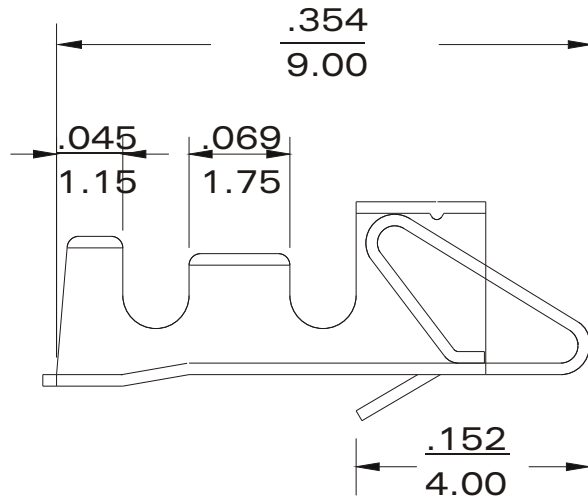
SM Series Crimp Terminal

* Material : Brass

* Applicable wire : AWG# 28-#22
 inch
 mm



B-B



A-A

SM-F-22-LF

LEADFREE

RoHS Compliant

MORETHANALL
 CONNECTORS
 ASSEMBLIES

PART NO. **SM-F-22**

DWG NO. **SM-F-22**

CHECKED BY CY

TOLERANCES ARE

DESCRIP TION: (2.5mm) Wire-to-Wire Connectors

FILE NO.

DRAWING BY

.X ± 0.2
 .XX ±
 .XXX ±
 AWG

AREA

REVISIONS

HK

DATE

煜倫股份有限公司

UNIT / mm

SCALE 1:1

PROJECTION

