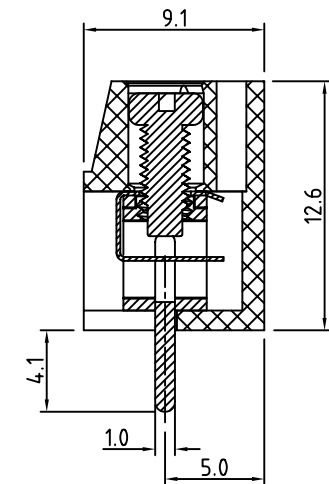
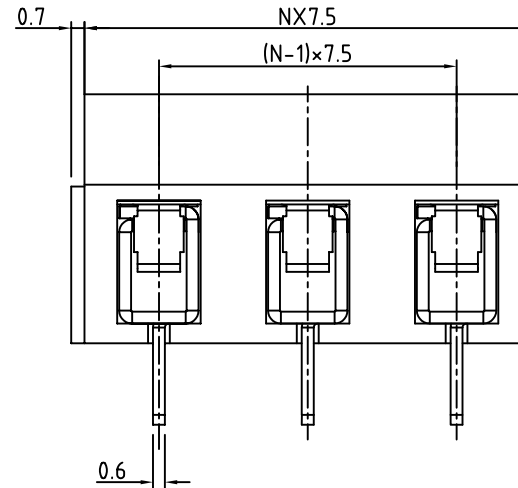
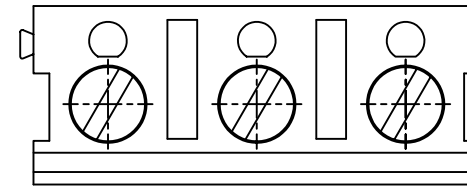
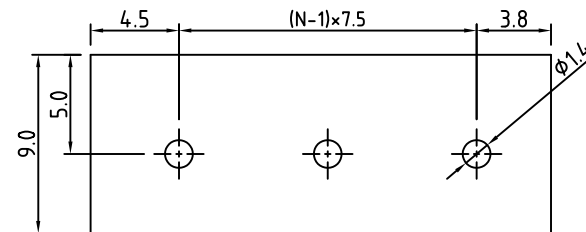


- Technical Data:
- Material:
 - Contact(metal housing): Brass
 - Terminal screw: Steel galvanized and chromate
 - Wire guard: Stainless steel
 - Surface of solder tail: tin plated
 - Insulator body(housing): Polyamide(Glass filled)(UL94V-0)
- Electrical
 - Voltage rating: 250VAC
 - Current rating: 16 Amps/way max
 - Contact resistance: 20mΩ(max)
 - Insulation resistance: 5000MΩ/1000V
 - Withstanding Voltage: 1500VAC(lmim) Test time=60sec/1pcs
 - Wire range: 14-22AWG/(0.3256~2.081)mm²
- Mechanical:
 - Torque: 4kgf.cm/M2.5
 - Operating temperature: -33°C to +120°C
 - Soldering ability: 95%coverage(min)
 - Test temperature= 230°C±10°C
 - Test time= 4sec±0.5sec
 - Soldering reliability:
 - Test temperature= 250°C±10°C
 - 5 seconds max
- Safety approval data:



N=Number of contacts

P.C.B. LAYOUT



MORETHANALL
PCB CONNECTORS
Cable ASSEMBLIES

煜倫股份有限公司

www.morethanall.com

RoHS Compliant

DRAWING BY CY

CHECKED BY GENIUS

UNIT / mm SCALE 1 : 1

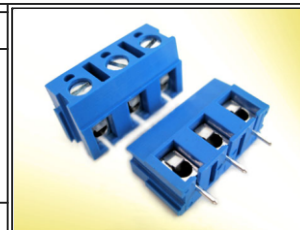
DATE

SIZE A4

TOLERANCES ARE

X, ±
.X ±
.XX ±
.XXX ±
ANG ±

PJECTION



ORDER INFORMATION

TBN075-D12-xx-LF

SERIES | | LEADFREE
02~24WAY
HIGH 12.6mm
DIP 180°

DESCRIPTION: