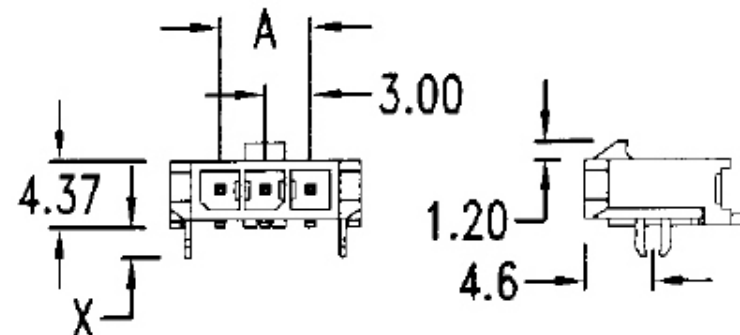
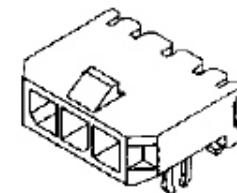
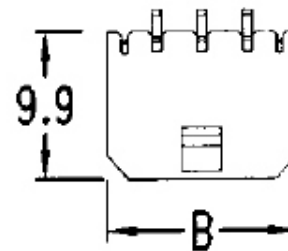


Features:

- 2 ~ 12 circuits available
- Material: Nylon 46 / 6T
- Tin-plated brass pin

Specification:

- Current rating: 5A AC, DC
- Voltage rating: 250V AC, DC
- Contact resistance: 10mΩ Max.
- Dielectric withstanding voltage: 1500V AC/minute
- Ambient temperature range: -25°C ~ 85°C

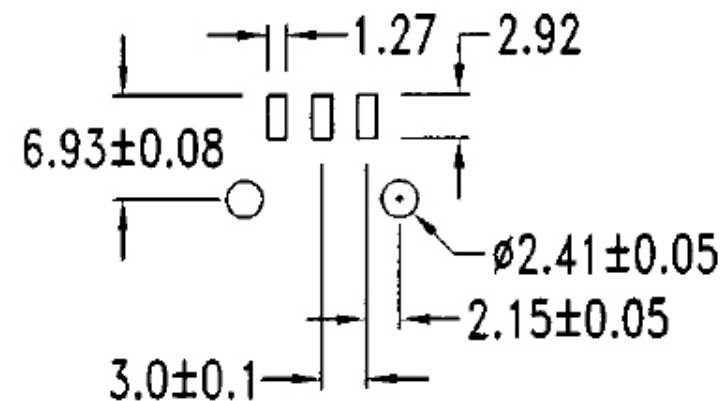


MIF-PWZ-1Xxx-LF
LEADFREE

RoHS Compliant

Dimensional Information

Circuits	Dim. A	Dim. B	Circuits	Dim. A	Dim. B	Circuits	Dim. A	Dim. B
2	3.0	9.65	4	9.0	15.65	6	15.0	21.65
3	6.0	12.65	5	12.0	18.65	7	18.0	24.65
8	21.0	27.65	10	27.0	33.65	12	33.0	39.65
9	24.0	30.65	11	30.0	36.65			



PCB Layout: Component side

M MORETHANALL
CONNECTORS
ASSEMBLIES

PART NO. MIF-PWZ-1Xxx

DWG NO. MIF-PWZ-1Xxx

FILE NO.

UNIT / mm

SCALE 1:1

CHECKED BY CY

DRAWING BY

PROJECTION



TOLERANCES ARE

.X ± 0.2
.XX ±
.XXX ±
AWG

DESCRIPTION:

AREA

REVISIONS

HK

DATE

煜倫股份有限公司