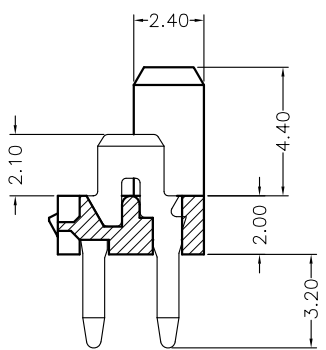
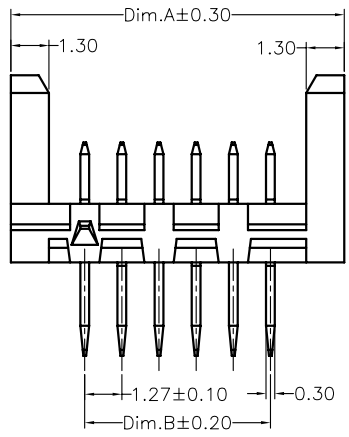
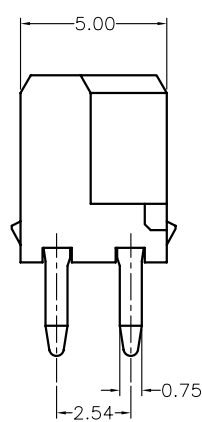
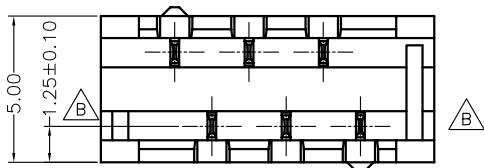


Specifications:  
 Current Rating:1.2A AC/DC  
 Voltage Rating:32V AC/DC  
 Contact Resistance:20m Ohm Max  
 Insulation Resistance:1000M Ohm Min  
 Withstanding Voltage:500V AC/Minute  
 Operating Temperature:-40°C To +105°C  
 Materials and Finish:  
 Insulator:High Temp Plastic (Nylon46 UL94V-0)  
 Insulator Color:Black  
 Contact:Phosphor Bronze  
 Contact Plated:Tin Plated

**PF-PDX-xx-LF**  
**LEADFREE**  
**RoHS Compliant**

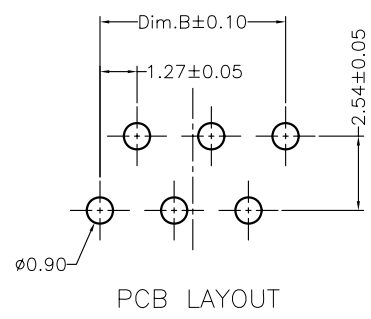


SECTION: A-A



Dimension:

Pos.	Dimension:		Pos.	Dimension:	
	A	B		A	B
04	8.86	3.81	16	24.10	19.05
06	11.40	6.35	18	26.64	21.59
08	13.94	8.89	20	29.18	24.13
10	16.48	11.43	22	31.72	26.67
12	19.02	13.97	24	34.26	29.21
14	21.56	16.51	26	36.80	31.75



**MORETHANALL**  
 CONNECTORS  
 ASSEMBLIES

PART NO. PF-PDX-xx

DWG NO. PF-PDX-xx

FILE NO.

UNIT / mm

SCALE 1:1

CHECKED BY CY

DRAWING BY

PROJECTION

TOLERANCES ARE

.X ± 0.2  
 .XX ±  
 .XXX ±  
 AWG

DESCRIPTION: 1.27mm IDC Connector Straight Type

AREA	REVISIONS	HK	DATE

煜倫股份有限公司