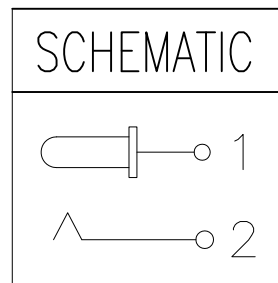
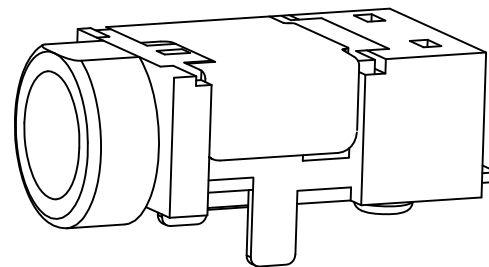
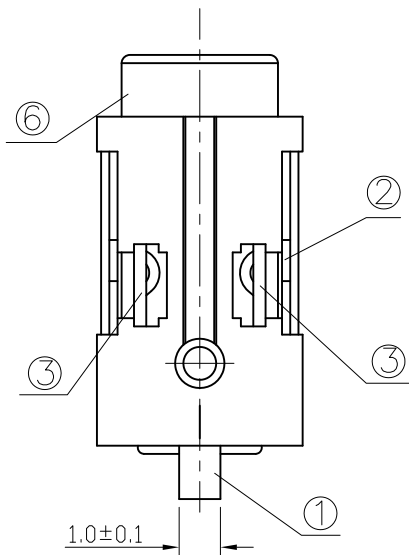


T:1.6 Dimensions of PC board holes
Tolerance : ±0.1(Printed-top view)



6	HOUSING	1	PA9T	UL-94V0(BLACK)
5	PIN	1	H59(COPPER ALLOY)	MB:Cu Cu/Sn PLATED
4	COAT	1	C5191 t=0.25	MB:Ni Ag PLATED
3	TERMINAL	2	C5191 t=0.20	MB:Ni Ag PLATED
2	TERMINAL 2#	1	C5191 t=0.25	MB:Ni Ag PLATED
1	TERMINAL 1#	1	C5191 t=0.25	MB:Ni Ag PLATED
LTR	PART NAME	QTY	MATERIAL	REMARK

UNLESS OTHERWISE SPECIFIED, TOLERANCE ON DECIMAL: ±0.2

RoHS Compliant

TOLERANCES ARE

MORETHANALL
PCB CONNECTORS
Cable ASSEMBLIES

DRAWING BY CY

X.±

CHECKED BY GENIUS

.X±

UNIT / mm

SCALE 1 : 1

.XX±

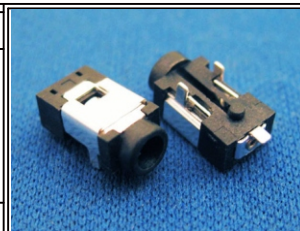
DATE

.XXX±

ANG±

SIZE A4

PJECTION



ORDER INFORMATION

DCJ-RW60-065-LF
SERIES | LEADFREE
0.65Ø
POST 6.3mm
90° DIP+SMT

煜倫股份有限公司

www.morethanall.com

DESCRIPTION: DC POWER JACK