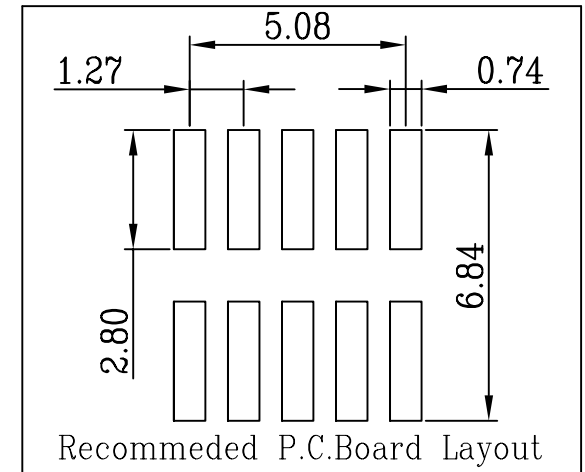
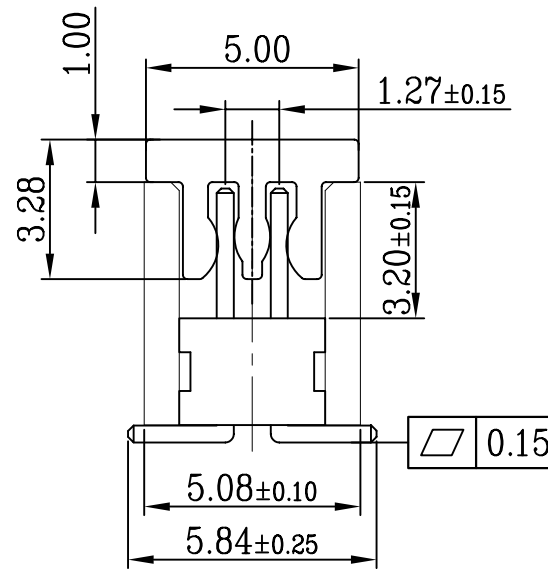
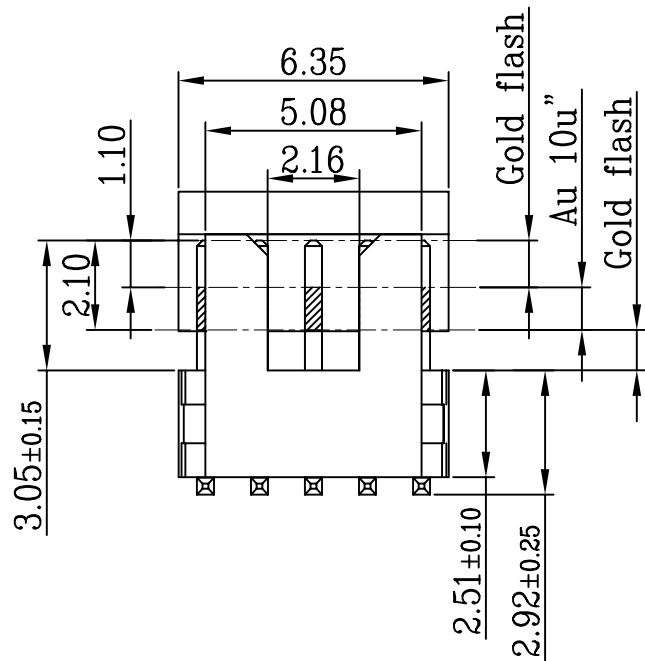
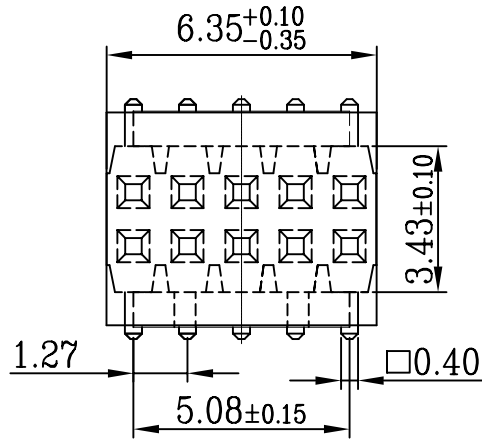


Pin-Header-Strips-Double row for Surface Mount
Technic and High-Temperature Body 1.27mm pitch

Technical data :

Insulator body	High Temperature Thermoplastic,UL 94V-0
Contact:	0.40mm x 0.40mm
material:	copper alloy
plating:	10u" Au plated on contact area Tin plated on solder area over nickel
Current Rating :	1 Amp
Insulator resistance :	500 Megohms min.
Dielectric withstanding :	AC 500 V for 1 minute
Temperature Rating:	-40°C to +105°C.
Max. processing Temp:	230°C for 30-60 seconds. 260°C for 10 seconds.



RoHS Compliant

TOLERANCES ARE

MORETHANALL
PCB CONNECTORS
Cable ASSEMBLIES

DRAWING BY CY

X ± 0.30

CHECKED BY GENIUS

.X ± 0.25

UNIT / mm

SCALE 1 : 1

.XX ± 0.15

DATE

.XXX ± 0.05

ANG ±

SIZE A4

PPOJECTION



ORDER INFORMATION

PAK-V29X30C-2X05-LF
SERIES | | | | LEADFREE
180°SMT | | | | 10 WAY
| | | | CAP
NON POST CONTACT 3.05mm
HIGH 2.92mm

煜倫股份有限公司

www.morethanall.com

DESCRIPTION: