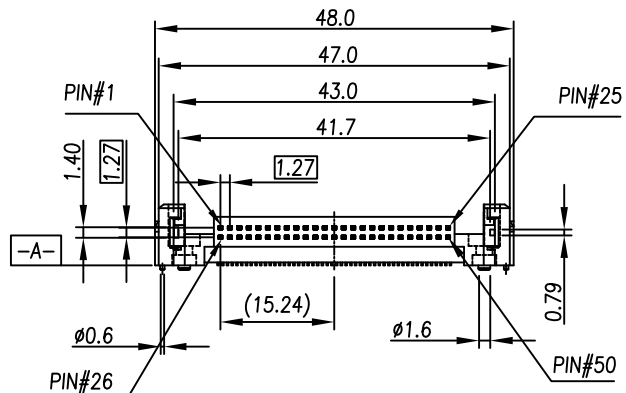
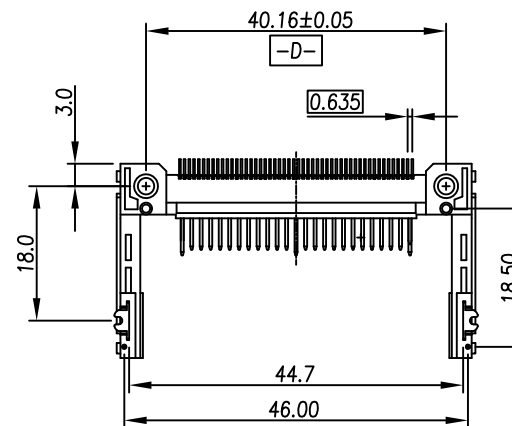
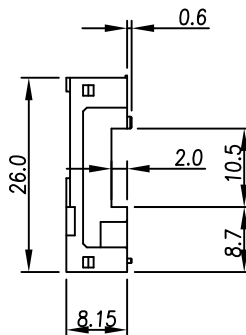
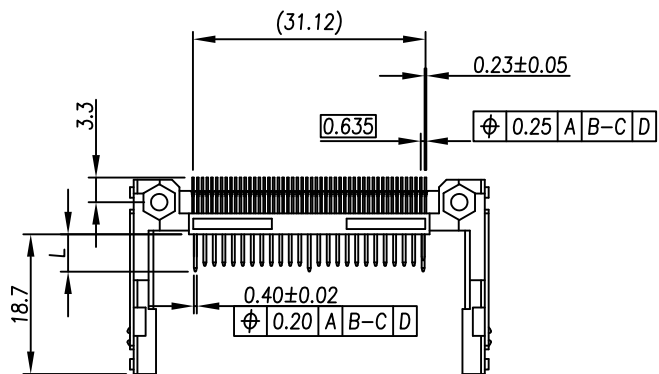


Pin Type	Interface Dim L	Pin Type	REV	MODIFICATION	DATE	DRAW
Detect	3.5 mm	25,26	B	EN-05-0810	2005/08/11	TONY
General	4.25 mm	All Other Pins	C	EN-10-0418	2010/04/09	TONY
Power	5.0 mm	1,13,38,50				



CFC-PW40CE221-50-LF

LEADFREE

RoHS Compliant

M MORETHANALL
CONNECTORS
ASSEMBLIES

PART NO. CFC-PW40CE221-50

DWG NO. CFC-PW40CE221-50

CHECKED BY CY

TOLERANCES ARE

DESCRIP TION:

CF CARD CONN. TYPE1,2
STAND-OFF 2.0mm NORMAL TYPE

FILE NO.

DRAWING BY

.X ± 0.2
.XX ±
.XXX ±
AWG

AREA

REVISIONS

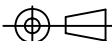
HK

DATE

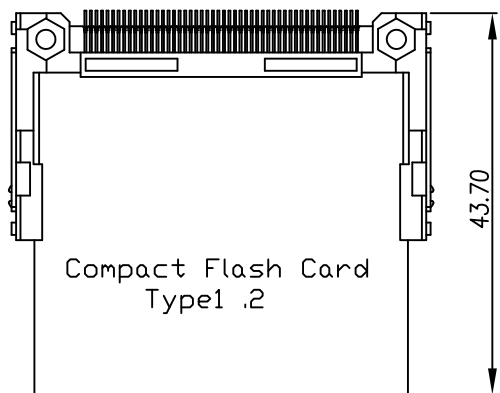
UNIT / mm

SCALE 1:1

PROJECTION



煜倫股份有限公司

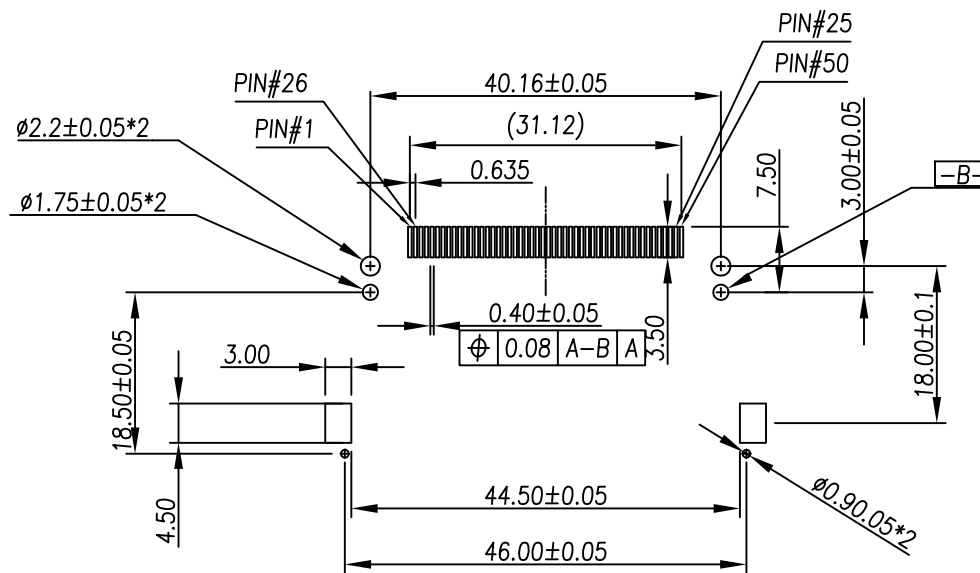
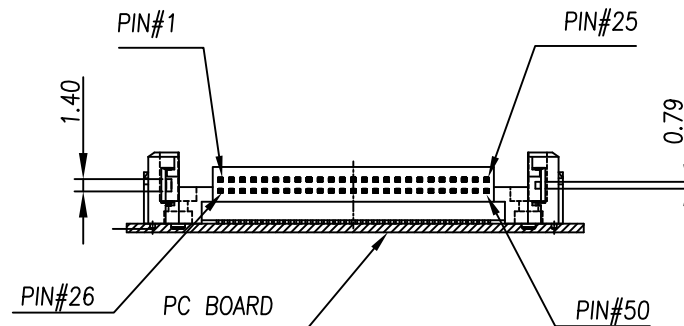


Compact Flash Card
Type1 .2

CARD INSERTION

SPECIFICATIONS:

- HOUSING : High Temperature Plastic, UL 94V-0
- CONTACT : Copper Alloys
- VOLTAGE RATING : 100VAC
- CURRENT RATING : 0.5A
- CONTACT RESISTANCE:40 mΩ max.
- INSULATION RESISTANCE:1000M Ω min.
- DIELECTRIC STRENGTH : 500VAC/1min
- OPERATION TEMPERATURE : -40°C~85°C



P.C.B Layout

MORETHANALL
CONNECTORS
ASSEMBLIES

PART NO. CFC-PW40CE221-50

DWG NO. CFC-PW40CE221-50

CHECKED BY CY

TOLERANCES ARE

DESCRIP TION:

FILE NO.

DRAWING BY

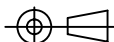
- .X ± 0.2
- .XX ±
- .XXX ±
- AWG

煜倫股份有限公司

UNIT / mm

SCALE 1:1

PROJECTION



AREA

REVISIONS

HK

DATE