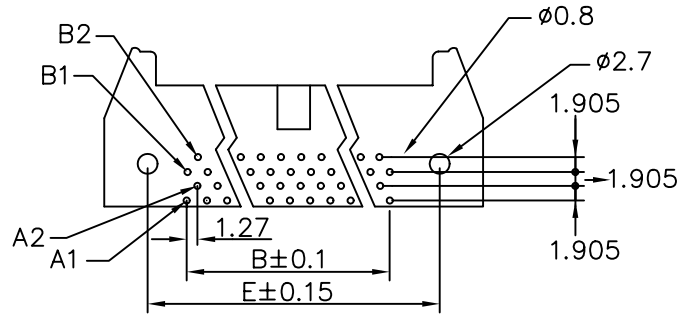
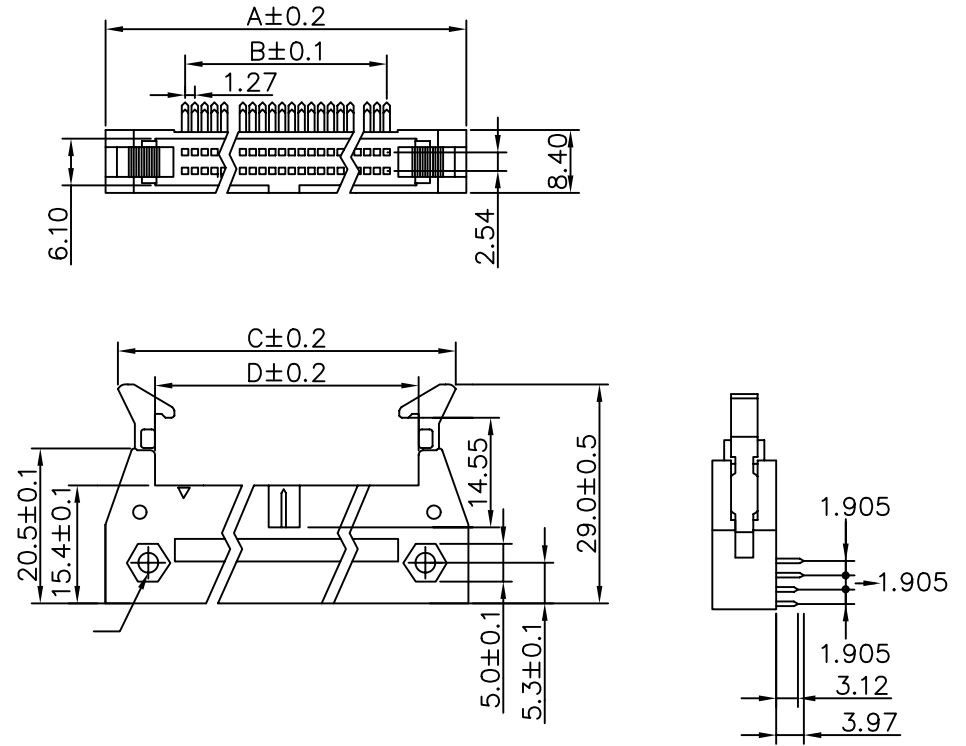


P.C. Board Layout Top View  
(20.32.40.52.60.68.80.100)Position



P.C. Board Layout Top View  
(26.34.50)Position



| Position | Dimension |       |       |       |       |
|----------|-----------|-------|-------|-------|-------|
|          | A         | B     | C     | D     | E     |
| 20       | 32.38     | 32.38 | 32.38 | 32.38 | 32.38 |
| 26       | 36.18     | 15.24 | 33.16 | 23.11 | 25.40 |
| 32       | 39.98     | 19.05 | 36.97 | 26.92 | 29.21 |
| 34       | 41.25     | 20.32 | 38.24 | 28.19 | 30.48 |
| 40       | 45.08     | 24.13 | 42.05 | 32.00 | 34.29 |
| 50       | 51.41     | 30.48 | 48.40 | 38.35 | 40.64 |
| 52       | 52.68     | 31.75 | 49.67 | 39.62 | 41.91 |
| 60       | 57.76     | 38.83 | 54.75 | 44.70 | 46.99 |
| 68       | 62.84     | 41.91 | 59.83 | 49.78 | 52.07 |
| 80       | 70.45     | 49.53 | 67.45 | 57.40 | 59.69 |
| 100      | 83.16     | 62.23 | 80.25 | 70.10 | 72.39 |

**MORETHANALL**  
CONNECTORS  
ASSEMBLIES

煜倫有限公司

PART NO. HL-RB-xxx

DWG NO. HL-RB-xxx

FILE NO.

UNIT / mm

SCALE 1:1

CHECKED BY CY

DRAWING BY

PROJECTION

TOLERANCES ARE

.X ± 0.2  
.XX ± 0.15  
.XXX ±  
AWG

DESCRIPTION:

AREA

REVISIONS

HK

DATE