

Technical Data:

Material:

- Contact(metal housing): Brass Machined
- Terminal screw: Steel Galvanized and chromated
or Nickel plated or Tin plated(standard)(option)M2
- Wire guard: PhBz,tin plated.
- Insulator body(housing): Polyamide(Glass filled)(UL94V-0)

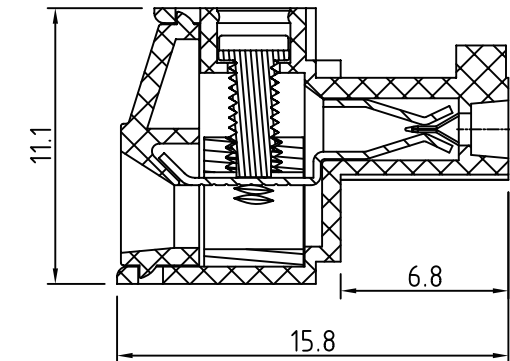
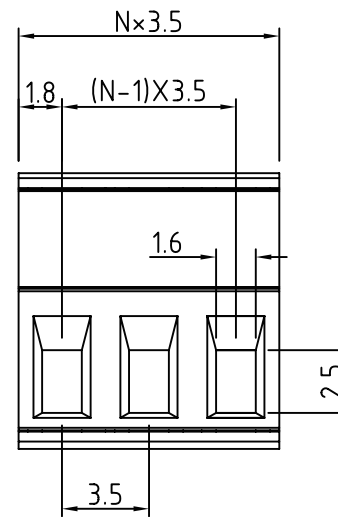
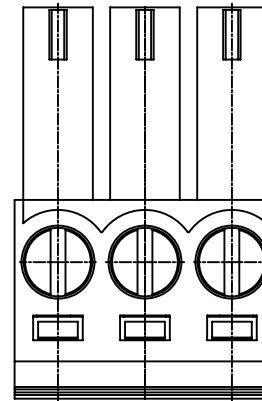
Electrical

- Voltage rating: 125VAC
- Current rating: 8 Amps/way max
- Contact resistance: 20mΩ (max)
- Insulation resistance: 5000MΩ /1000V
- Withstanding Voltage: 1500VAC(1min) Test time=60sec/1pcs
- Wire range: 16-26AWG

Mechanical:

- Torque: 2kgf.cm/M2
- Operating temperature: -33°C to +120°C

Safety approval data: 



N=Number of contacts

MORETHANALL
PCB CONNECTORS
Cable ASSEMBLIES

煜倫股份有限公司

www.morethanall.com

RoHS Compliant

DRAWING BY CY

CHECKED BY GENIUS

UNIT/mm SCALE 1:1

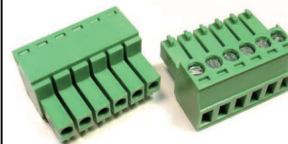
DATE

SIZE A4

TOLERANCES ARE

X. ±
.X ± 0.30
.XX ± 0.10
.XXX ±
ANG ±

PJECTION 



ORDER INFORMATION

TBH035-SWC-xx-LF



DESCRIPTION: