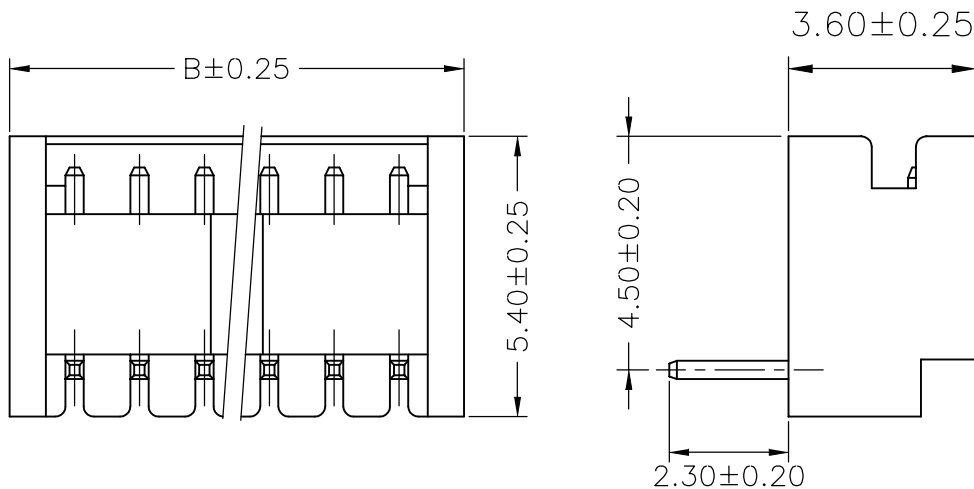
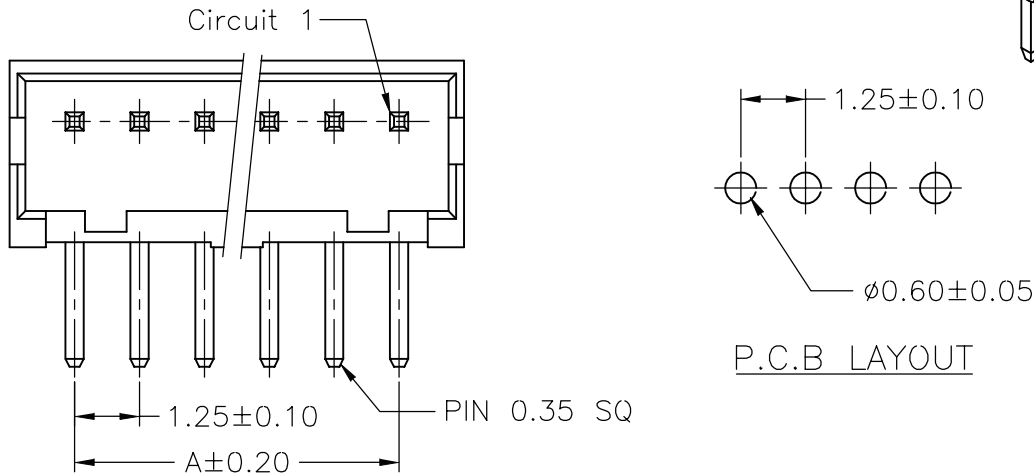


SPECIFICATIONS

Current Rating: 1A AC,DC
 Voltage Rating: 100V AC,DC
 Temperature Range: -25°C ~ +85°C
 Contact Resistance: 20mΩ Max.
 Insulation Resistance: 500MΩ Min.
 Withstanding Voltage: 500V AC/minute
 Pin Material: Brass/Tin-plated
 Material: Nylon 66,UL94V-0

Ordering Information & Dimensions

PART NO.	Dimensions	
	A	B
DF13-R-1X02	1.25	3.75
DF13-R-1X03	2.50	5.00
DF13-R-1X04	3.75	6.25
DF13-R-1X05	5.00	7.50
DF13-R-1X06	6.25	8.75
DF13-R-1X07	7.50	10.00
DF13-R-1X08	8.75	11.25
DF13-R-1X09	10.00	12.50
DF13-R-1X10	11.25	13.75
DF13-R-1X11	12.50	15.00
DF13-R-1X12	13.75	16.25
DF13-R-1X13	15.00	17.50
DF13-R-1X14	16.25	18.75
DF13-R-1X15	17.50	20.00



RoHS Compliant

TOLERANCES ARE

MORETHANALL
 PCB CONNECTORS
 Cable ASSEMBLIES

DRAWING BY CY

CHECKED BY GENIUS

UNIT / mm

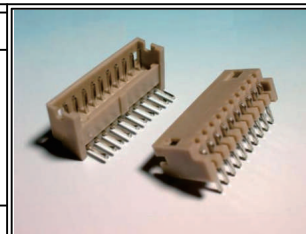
SCALE 1:1

DATE

SIZE A4

PPOJECTION

X, ±
 .X ±
 .XX ±
 .XXX ±
 ANG ±



ORDER INFORMATION



煜倫股份有限公司

www.morethanall.com

DESCRIPTION: 1.25mm PITCH 90° SINGLE ROW WAFER