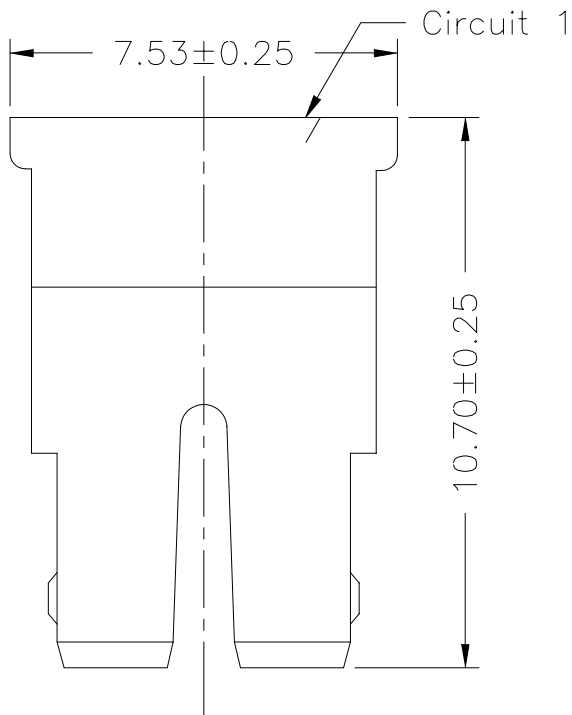
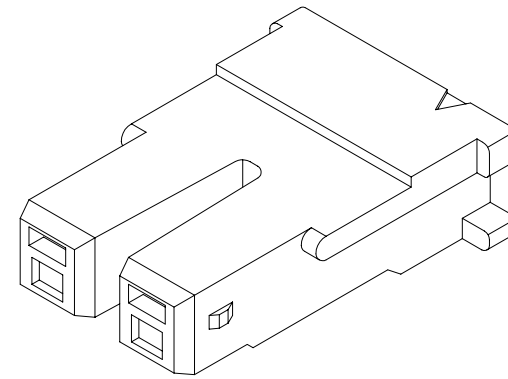
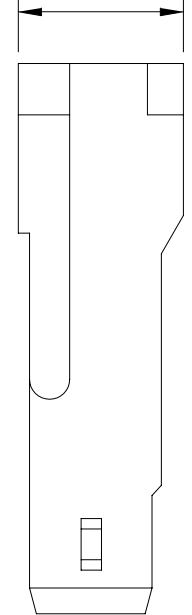


3.50±0.10



3.21±0.25



SPECIFICATIONS

Current Rating: 1A AC,DC
 Voltage Rating: 1400V AC,DC
 Temperature Range: -25°C ~ +85°C
 Contact Resistance: 20mΩ Max
 Insulation Resistance: 1000MΩ Min
 Withstanding Voltage: 3800V AC/minute
 Material: Nylon 66,UL94V-0

BHS-S-02-LF
 T
LEADFREE

RoHS Compliant



PART NO. **BHS- S-02**

DWG NO. **BHS- S-02**

FILE NO.

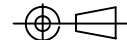
UNIT / mm

SCALE 1:1

CHECKED BY CY

DRAWING BY

PROJECTION



TOLERANCES ARE

.X ± 0.2
 .XX ±
 .XXX ±
 AWG

DESCRIPTION:

**3.50mm PITCH HOUSING
 ULTRA LOW PROFILE**

AREA

REVISIONS

HK

DATE

煜倫股份有限公司