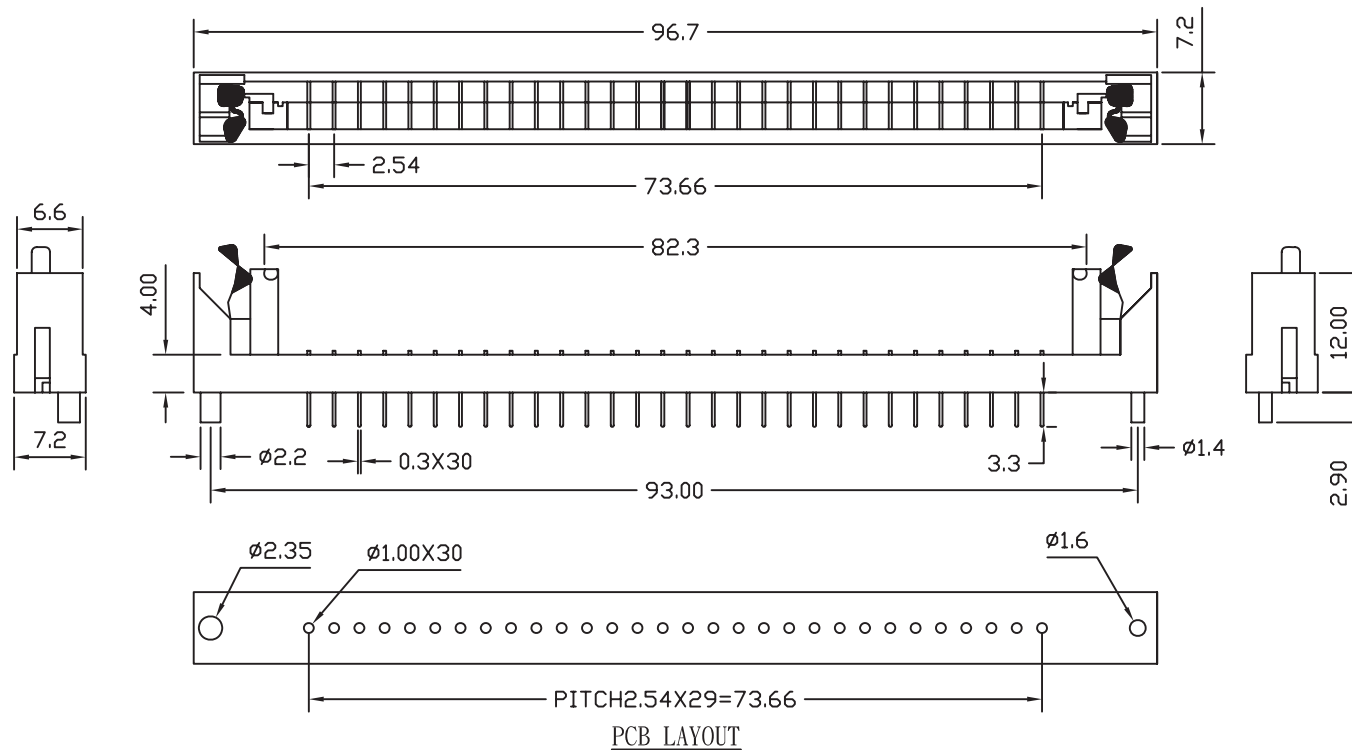


**MATERIAL AND FINISH**

- \* HOUSING:LCP. PCT. PBT(UL 94V-0)
- \* CONTACT:PHOSPHOR BRONZN TIN PLATING 120 MICRO INCH
- \* CONTACT:PLATING TIN PLATING OVER NICKEL

**PERFORMANCE SPECIFICATION**

- \* CURRENT:1 AMPERE MAX
- \* CPEUATING TEMPERATURE:-56 °C TO +106 °C
- \* INSULATION RESISTANCE:10000 MEGOHMS MIN. LINTITAL
- \* NORMAL FORCES:200GRAMS MIN. ON TIN, TIN AND INTERFACE
- \* DURABILITY:40 CYCLES MIN
- \* METAL LATCH:PHOSPHOR HRONAE WITH NICRUL PLATED



**RoHS Compliant**

TOLERANCES ARE

**MORETHANALL**  
PCB CONNECTORS  
Cable ASSEMBLIES

DRAWING BY CY

CHECKED BY GENIUS

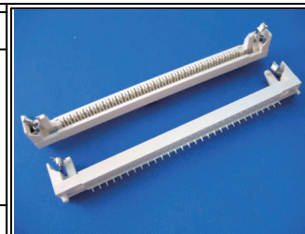
UNIT/mm SCALE 1:1

DATE

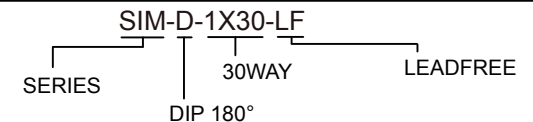
SIZE A4

X.  $\pm$   
.X  $\pm$   
.XX  $\pm$   
.XXX  $\pm$   
ANG  $\pm$

P PROJECTION



**ORDER INFORMATION**



DESCRIPTION:

**煜倫股份有限公司**

[www.morethanall.com](http://www.morethanall.com)