

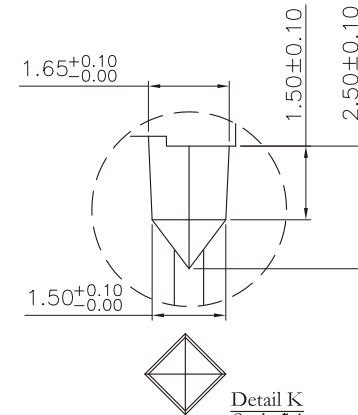
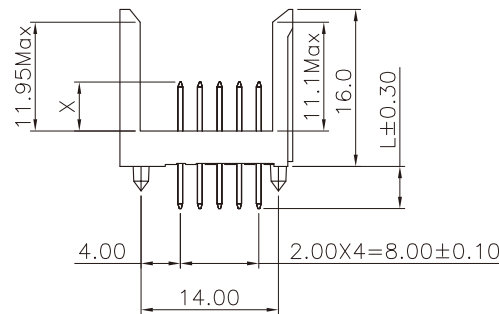
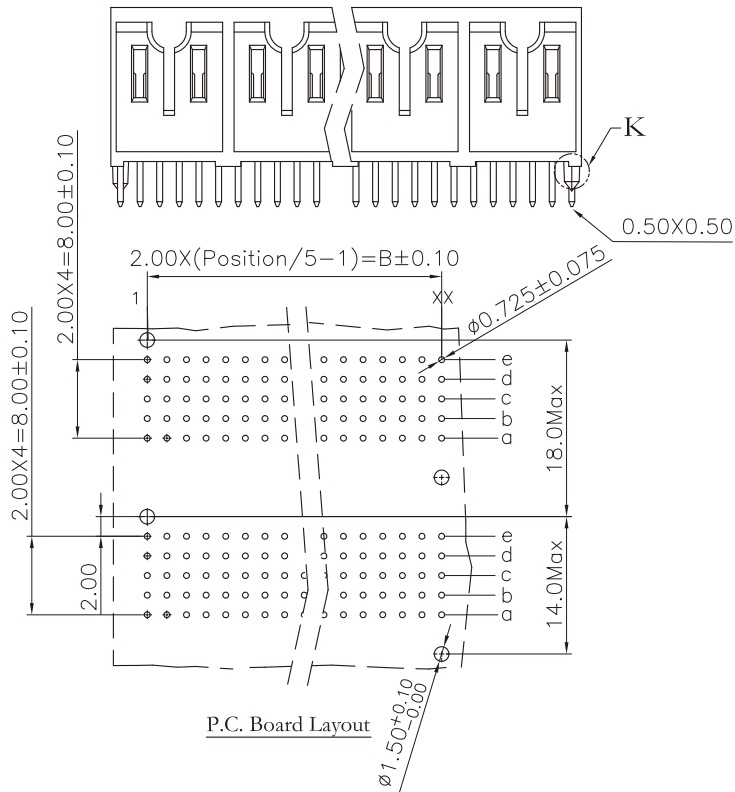
Material:

Housing: High Temperature Plastic UL94V-0
 Contacts: Brass.

Electrical Characteristics:

Current Rating: 1 AMP.
 Dielectric Withstanding Voltage: AC 1000V For 1 minute.
 Insulator Resistance: 1000MΩ min. at DC 500V.
 Contact Resistance: 30mΩ max. at DC 100mA.
 Operating Temperature: -65°C~+125°C .

***RoHS Compliant**



Detail K
 Scale:5:1

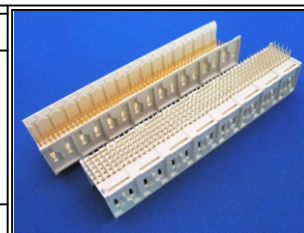
Position (n)	Dimension		P/N.	L	X
	A	B			
30	11.95	10.0	FUB-PD0450-5Xxx	4.3	5.00
		10.0	FUB-PD0457-5Xxx		5.75
60	23.95	22.0	FUB-PD0465-5Xxx	13.6	6.50
90	35.95	34.0	FUB-PD0472-5Xxx		7.25
120	47.95	46.0	FUB-PD0480-5Xxx	17.0	8.00
150	59.95	58.0	FUB-PD1350-5Xxx		5.00
180	71.95	70.0	FUB-PD1357-5Xxx	8.00	5.75
210	83.95	82.0	FUB-PD1365-5Xxx		6.50
240	95.95	94.0	FUB-PD1372-5Xxx	8.00	7.25
270	107.95	106.0	FUB-PD1380-5Xxx		8.00
300	119.95	118.0	FUB-PD1750-5Xxx	17.0	5.00
330	131.95	130.0	FUB-PD1757-5Xxx		5.75
360	143.95	142.0	FUB-PD1765-5Xxx	8.00	6.50
390	155.95	154.0	FUB-PD1772-5Xxx		7.25
			FUB-PD1780-5Xxx		8.00

RoHS Compliant

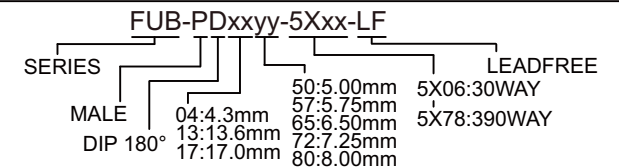
TOLERANCES ARE

- X, ±
- .X ±
- .XX ±
- .XXX ±
- ANG ±

DRAWING BY CY
 CHECKED BY GENIUS
 UNIT / mm SCALE 1 : 1
 DATE
 SIZE A4 PPROJECTION



ORDER INFORMATION



MORETHANALL
 PCB CONNECTORS
 Cable ASSEMBLIES
 煜倫股份有限公司
 www.morethanall.com

DESCRIPTION: