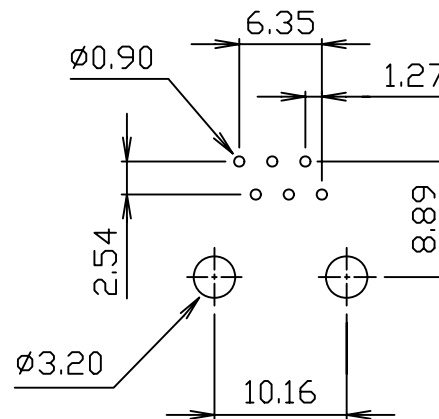
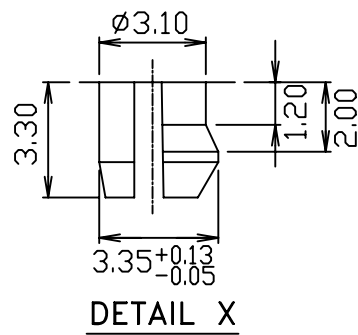
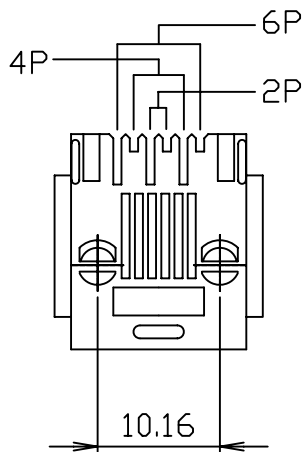


MATERIALS:
 · HOUSING-PBT POLYESTER UL94V-0
 MIXED GLASS FIBER.
 STANDARD COLOR-BLACK
 · CONTACTS-0.45mm DIA. ROUND PHOS-BRONZE
 PLATED WITH HARD GOLD.
 CAVITY CONFIRMS TO FCC RULES AND REGULATIONS



PC Board Layout

MORETHANALL
 CONNECTORS
 ASSEMBLIES

PART NO. MJD16-KE06-0606

DWG NO. MJD16-KE06-0606

APPROVED BY CY

TOLERANCES ARE

DESCRIP TION:

6POSITION 180° (SPLIT PEGS)
 TOP ENTRY PCB JACK

FILE NO.

DRAWING BY

X. ± 0.25
 XX. ± 0.13
 XXX. ± 0.05
 AWG

AREA

REVISIONS

HK

DATE

煜倫股份有限公司

UNIT / mm

SCALE 1:1

PROJECTION

