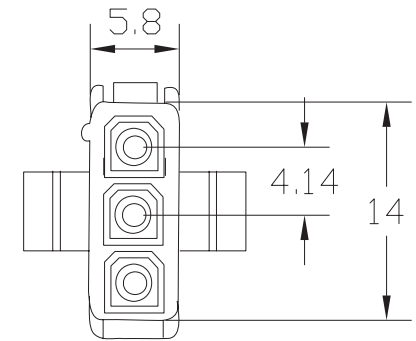
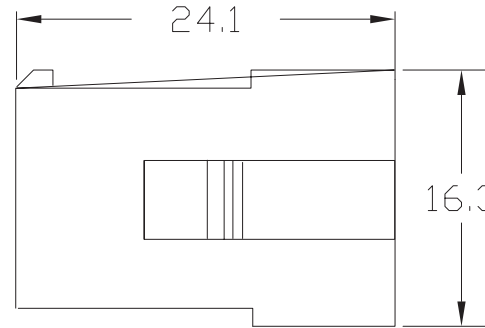


Pcs/1bag
1000

ML-PE-1X02



Pcs/1bag
1000

ML-PE-1X03

SPECIFICATIONS

Voltage rating:300V AC,DC

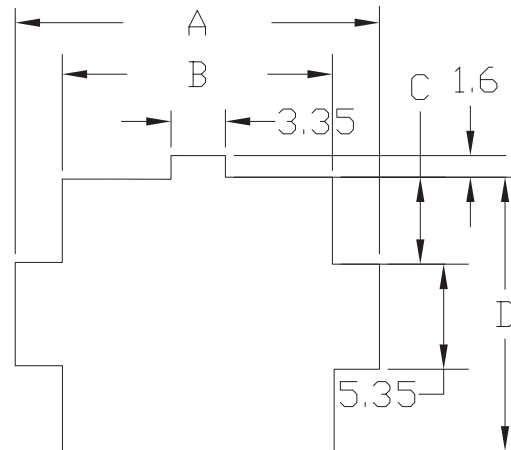
Current rating:5A AC,DC

Withstanding voltage:1500V AC/minute

Insulation resistance:1000MΩHM min

Temperature range:-25°C~+90°C

Material:UL94V-2 Nylon 66



Number of Circuits	Dimensions			
	A	B	C	D
2	10.70	6.15	2.50	10.35
3	10.70	6.15	4.60	14.55
4	14.90	10.35	2.50	10.35
6	19.10	14.55	2.50	10.35
9	19.10	14.55	4.60	14.55
12	23.30	18.75	4.60	14.55
15	27.50	22.95	4.60	14.55

RoHS Compliant

TOLERANCES ARE

MORETHANALL
PCB CONNECTORS
Cable ASSEMBLIES

煜倫股份有限公司

www.morethanall.com

DRAWING BY CY

CHECKED BY GENIUS

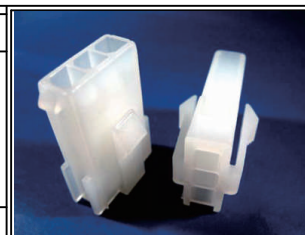
UNIT/mm SCALE 1:1

DATE

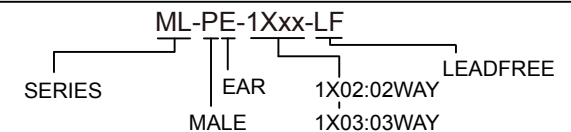
SIZE A4

X.±
.X±
.XX±
.XXX±
ANG±

P PROJECTION



ORDER INFORMATION



DESCRIPTION: