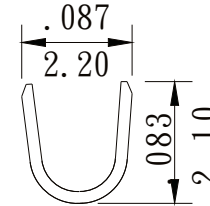
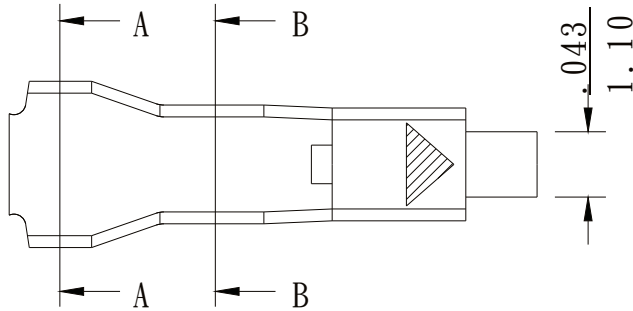


# NH Series Crimp Terminal

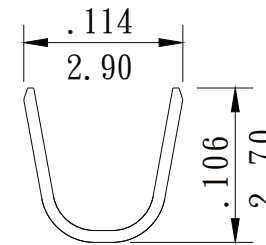
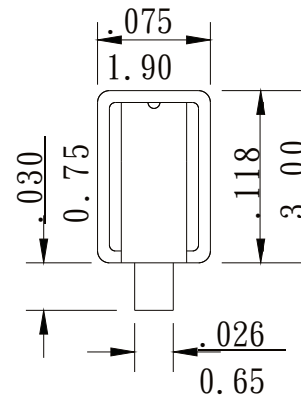
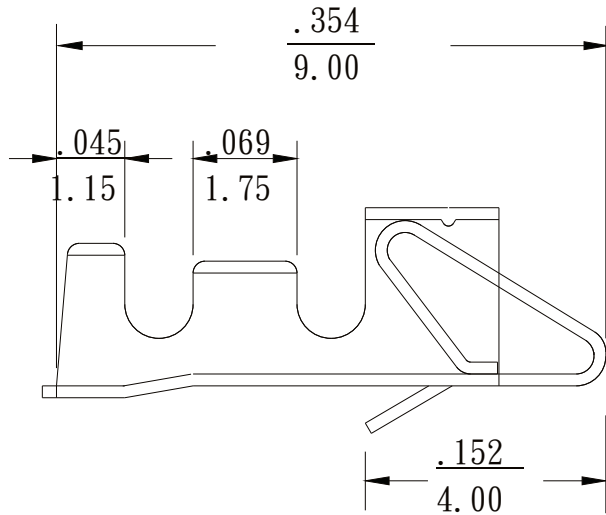
\* Material : Brass

\* Applicable wire : AWG# 28-#22

inch  
mm



B-B



A-A

**RoHS Compliant**

TOLERANCES ARE

**MORETHANALL**  
PCB CONNECTORS  
Cable ASSEMBLIES

DRAWING BY CY

CHECKED BY GENIUS

UNIT / mm

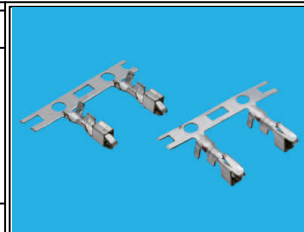
SCALE 1 : 1

DATE

SIZE A4

PJECTION

X, ±  
.X ±  
.XX ±  
.XXX ±  
ANG ±



**ORDER INFORMATION**

NH-T-22-LF  
SERIES | LEADFREE  
22-28AWG  
TERMINAL

煜倫股份有限公司

www.morethanall.com

DESCRIPTION: (2.5mm) Wire-to-Wire Connectors