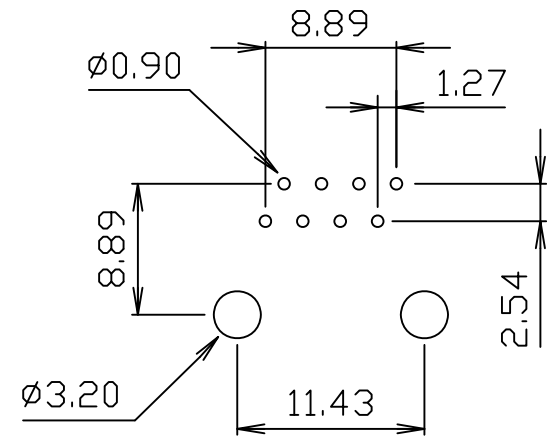


**DETAIL X**

**MATERIALS:**

HOUSING-PBT POLYESTER UL94V-0  
 MIXED GLASS FIBER,  
 STANDARD COLOR-BLACK  
 CONTACTS-0.45mm DIA. ROUND PHOS-BRONZE  
 PLATED WITH HARD GOLD.  
 CAVITY CONFIRMS TO FCC RULES AND REGULATIONS  
 PART 68,SUBPART F.



PC Board Layout

**RoHS Compliant**

TOLERANCES ARE

**MORETHANALL**  
 PCB CONNECTORS  
 Cable ASSEMBLIES

DRAWING BY CY

CHECKED BY GENIUS

UNIT / mm

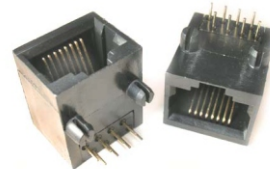
SCALE 1 : 1

DATE

SIZE A4

X, ±  
 .X ± 0.25  
 .XX ± 0.13  
 .XXX ±  
 ANG ±

P PROJECTION



**ORDER INFORMATION**

**MJ12S-KXxx-0808-LF**

SERIES 8P8C LEADFREE  
 03:03u" GOLD  
 06:06u" GOLD  
 BLACK  
 NON POST

DESCRIPTION: 8POSITION LOW PROFILE SIDE ENTRY PCB JACK

**煜倫股份有限公司**

[www.morethanall.com](http://www.morethanall.com)