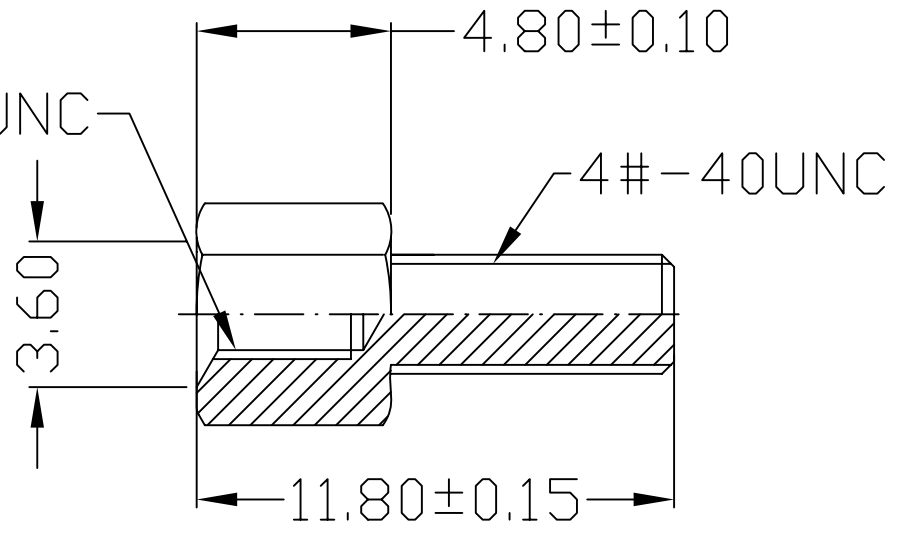


4#-40UNC



HS-12-LF
LEADFREE
RoHS Compliant

MATERIAL:
BRASS NICKLE PLATED



PART NO. HS-12		CHECKED BY CY		TOLERANCES ARE .X ± 0.5 .XX ± 0.3 .XXX ± AWG	DESCRIPTION:			
DWG NO. HS-12		DRAWING BY						
FILE NO.		PROJECTION		AREA	REVISIONS	HK	DATE	

煜倫股份有限公司

UNIT / mm

SCALE 1:1