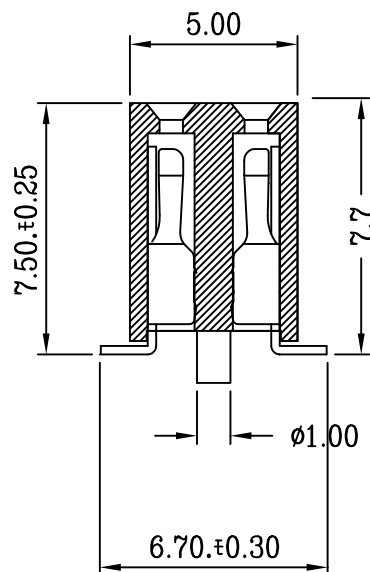
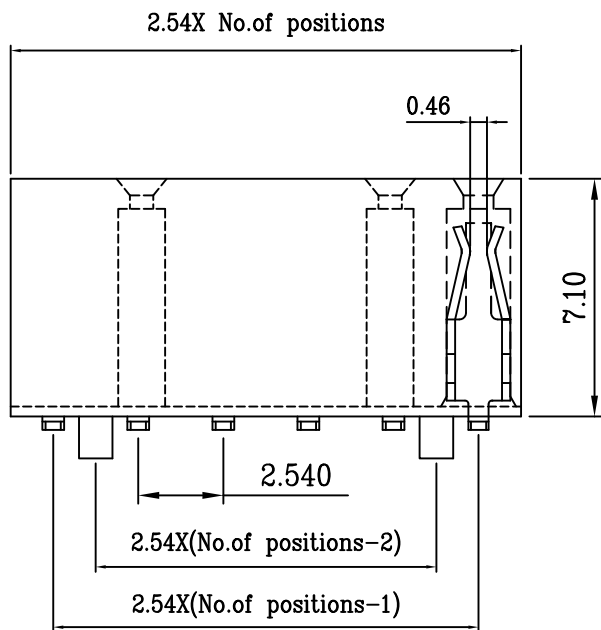
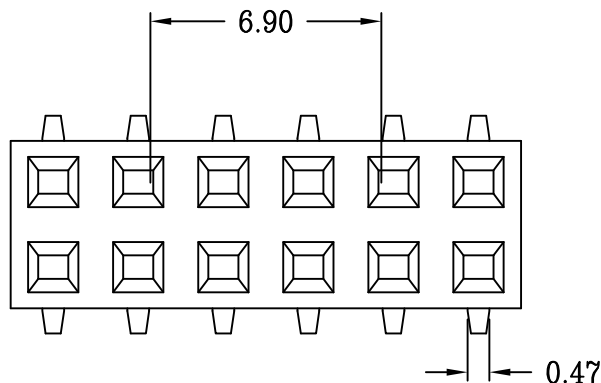


1 2 3 4 5 6 7 8 9 0

J  
I  
H  
G  
F  
E  
D  
C  
B  
A



**SPECIFICATIONS**

CURRENT RATING: 3 AMP  
 INSULATION RESISTANCE: 1000M OHMS MIN.  
 DIELECTRIC WITHSTANDING: 600V AC/DC  
 CONTACT RESISTANCE: 20m OHMS MAX.  
 OPERATING TEMPERATURE: -40°C ~ +105°C

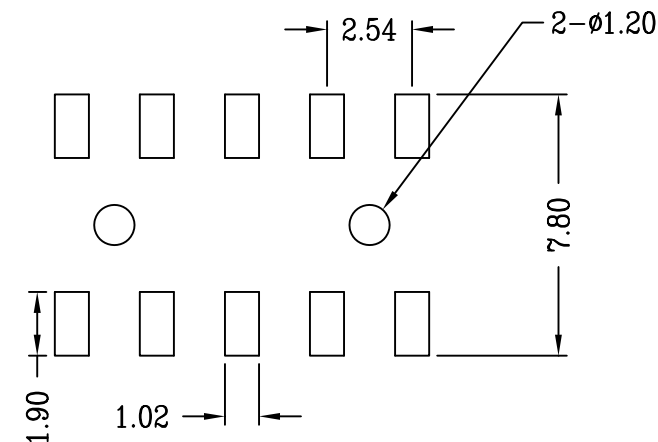
**MATERIALS**

CONTACT MATERIAL: PHOSPHOR BRONZE  
 INSULATION MATERIAL: POLYESTER, UL 94V-0  
 NYLON 6T

F-V75P-2Xxx-LF

LEADFREE

RoHS Compliant



RECOMMENDED P.C.B LAYOUT

**MORETHANALL**  
 CONNECTORS  
 ASSEMBLIES

煜倫股份有限公司

PART NO. F-V75P-2Xxx

DWG NO. F-V75P-2Xxx

FILE NO.

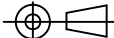
UNIT / mm

SCALE 1:1

CHECKED BY CY

DRAWING BY

PROJECTION



TOLERANCES ARE

.X ± 0.2  
 .XX ±  
 .XXX ±  
 AWG

DESCRIPTION: 2.54mm Female Socket Dual Row SMD type (H=7.5)

AREA

REVISIONS

HK

DATE