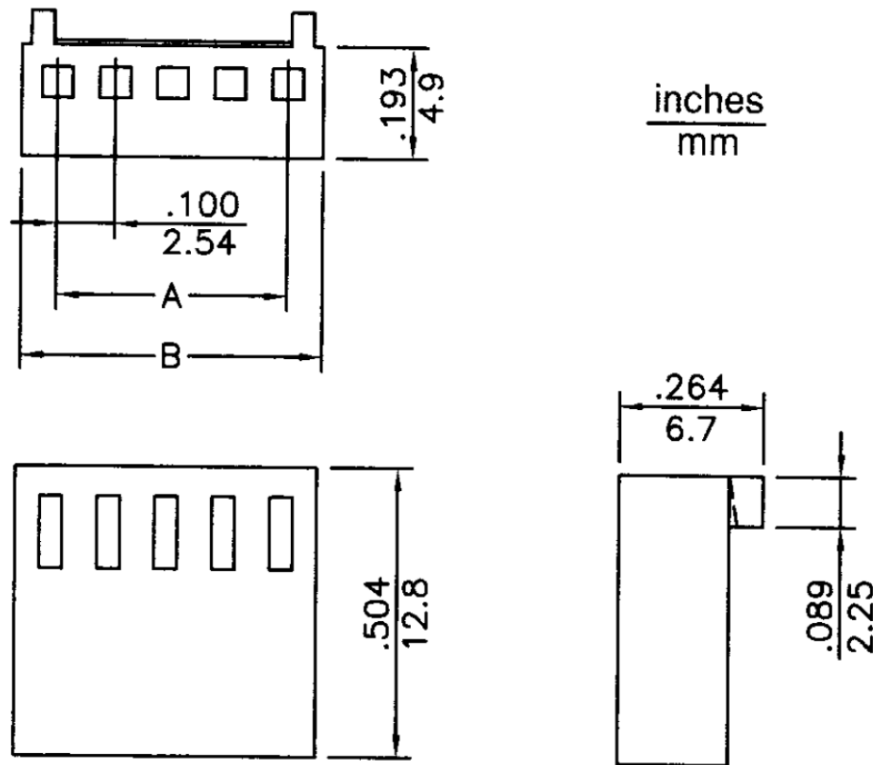


Specifications

- * Current rating: 3A AC, DC
- * Voltage rating: 250V AC, DC
- * Temperature range: -25°C~+85°C
- * Insulation resistance: 1,000MΩ min.
- * Withstand voltage: 1,000V AC/minute

- * Poles:2-20
- * Material:NYLON 66 UL 94V-2
Color: HENNA



CIRCUITS	DIMENSION in.(mm)	
	A	B
2	0.100(2.54)	0.222(5.65)
3	0.200(5.08)	0.322(8.19)
4	0.300(7.62)	0.422(10.73)
5	0.400(10.16)	0.522(13.27)
6	0.500(12.70)	0.622(15.81)
7	0.600(15.24)	0.722(18.32)
8	0.700(17.78)	0.822(20.89)
9	0.800(20.32)	0.922(23.43)
10	0.900(22.86)	1.022(25.97)
11	1.000(25.40)	1.122(28.51)
12	1.100(27.94)	1.222(31.05)
13	1.200(30.48)	1.322(33.59)
14	1.300(33.02)	1.422(36.13)
15	1.400(35.56)	1.522(38.67)
16	1.500(38.10)	1.622(41.21)
17	1.600(40.64)	1.722(43.75)
18	1.700(43.18)	1.800(46.29)
19	1.800(45.72)	1.922(48.83)
20	1.900(48.26)	2.022(51.37)

RoHS Compliant

TOLERANCES ARE

MORETHANALL
PCB CONNECTORS
Cable ASSEMBLIES

DRAWING BY CY

CHECKED BY GENIUS

UNIT / mm

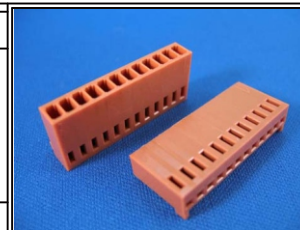
SCALE 1:1

DATE

SIZE A4

PJECTION

X.±
.X±
.XX±
.XXX±
ANG±



ORDER INFORMATION

MKL-H-xx-LF
SERIES | LEADFREE
| 02~20 WAY
HOUSING

煜倫股份有限公司

www.morethanall.com

DESCRIPTION: