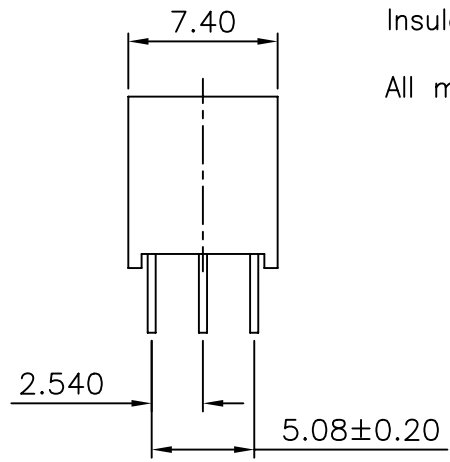
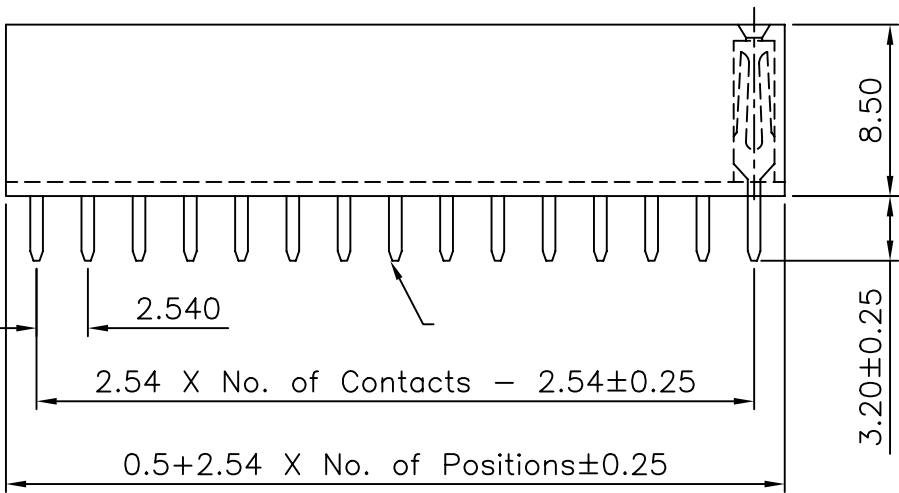
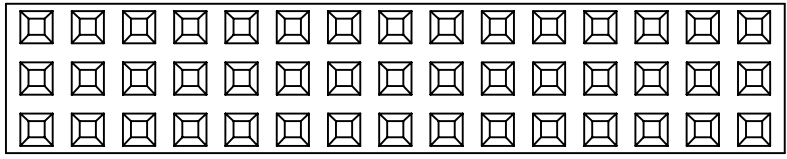


1 2 3 4 5 6 7 8 9 0

J
I
H
G
F
E
D
C
B
A



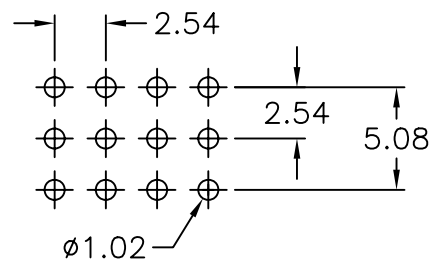
Specifications

Current Rating: 3Amp
 Insulation Resistance: 1000MΩ Min.
 Dielectric Withstanding: 600V AC/DC
 Contact Resistance: 20mΩ Max.
 Operating Temperature: -40°C to +105°C

Materials

Contact Material: Phosphor Bronze
 Insulation Material: Polyester, UL 94V-0
 P.B.T
 All materials must be GP materials

Recommended P.C.Board Hole Layout



PART NO. F-D-3Xxx

DWG NO. F-D-3Xxx

CHECKED BY CY

TOLERANCES ARE

DESCRIP TION:

2.54 FEMALE HEADER TRIPLE ROWS
 DIP TYPE BASE 8.50H

煜倫股份有限公司

FILE NO.

DRAWING BY

.X ± 0.38
 .XX ± 0.25
 .XXX ± 0.13
 AWG

AREA

REVISIONS

HK

DATE

UNIT / mm

SCALE 1:1

PROJECTION