

● MATERIALS: (RoHS Compliant)

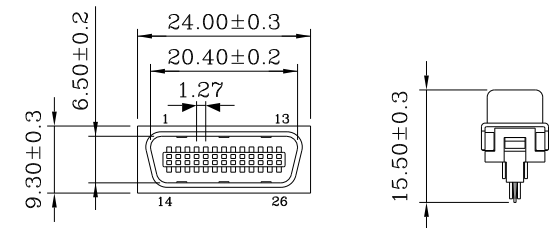
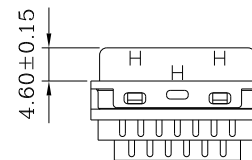
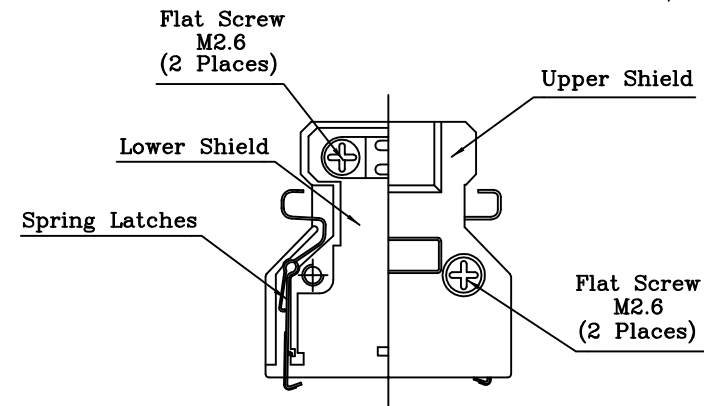
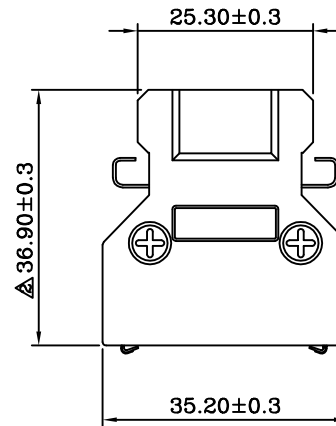
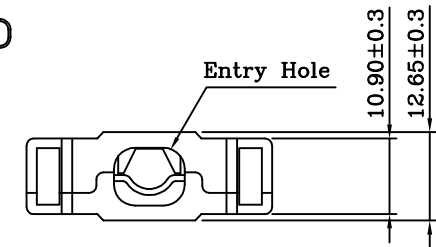
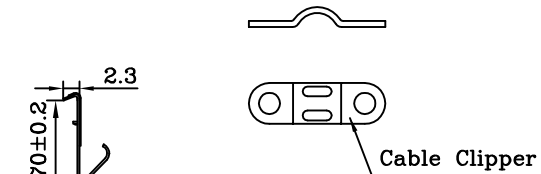
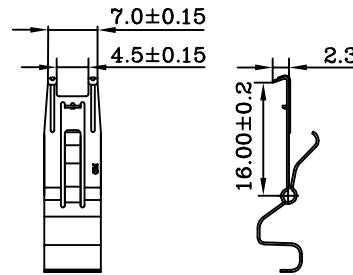
Housing: Plastic Thermoplastic
 P.B.T UL94V-0 Black
 Contacts: Phosphor Bronze Gold
 Selective Plated
 Front Shell: Steel Nickel Plated Over Copper

● ELECTRICAL CHARACTERISTICS:

Contact Current Rating: 0.5 Amp
 Dielectric Withstanding Voltage: 500V AC
 Insulation Resistance: >500MΩ/Min
 Contact Resistance: 35mΩ/Max
 Operation Temperature: -55°C ~ +85°C

● MATERIALS: (RoHS Compliant)

Back Shell: Zinc Alloy Nickel Plated Over Copper
 Flat Screws: Steel Nickel Plated Over Copper
 Cable Clipper: Steel Nickel Plated Over Copper
 Spring Latches: Stainless Steel



RoHS Compliant

TOLERANCES ARE

MORETHANALL
 PCB CONNECTORS
 Cable ASSEMBLIES

DRAWING BY CY

X, ±

CHECKED BY GENIUS

.X ±

UNIT / mm

SCALE 1 : 1

.XXX ±

DATE

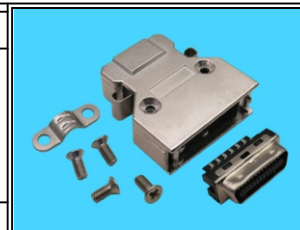
ANG ±

煜倫股份有限公司

www.morethanall.com

SIZE A4

PJECTION



ORDER INFORMATION

HPC-PSW-026-LF
 SERIES | LEADFREE
 | 26 WAY
 | W TYPE COVER
 | SOLDER
 MALE

DESCRIPTION: 1.27mm(.050") Ribbon 26Pos Cable Plug Connector Solder Assembly Type