

SPECIFICATIONS

Voltage rating: 300V AC,DC

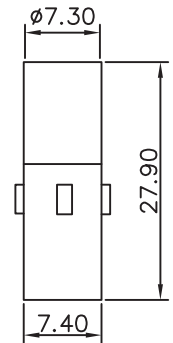
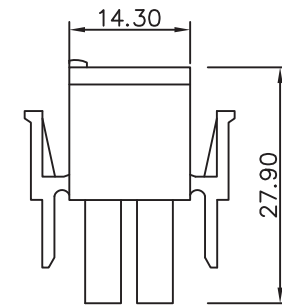
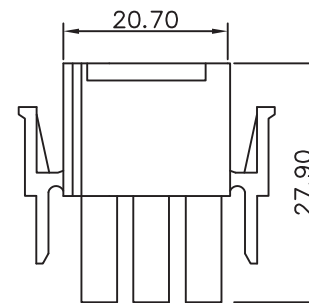
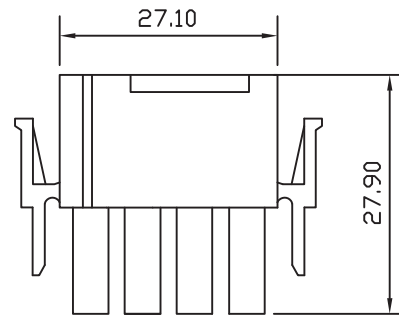
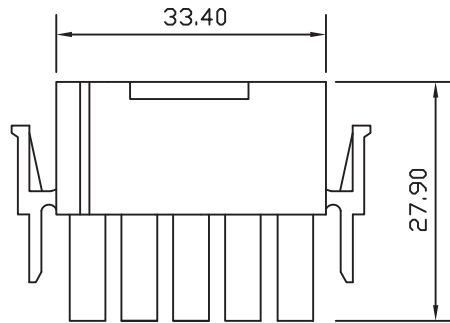
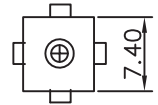
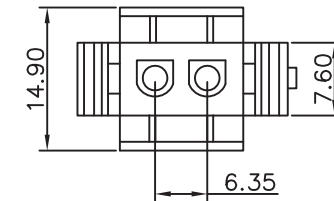
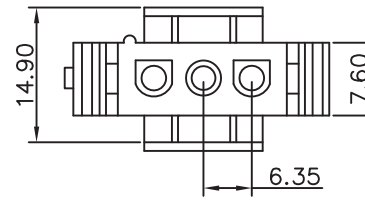
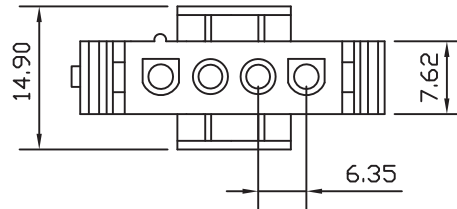
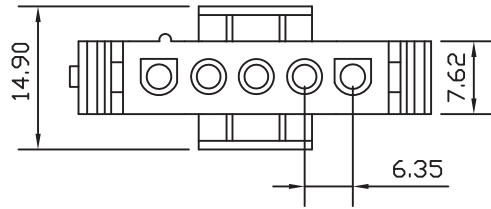
Current rating: 12A AC,DC

Withstanding voltage: 1500V AC/minute

Insulation resistance: 1000MΩmin

Temperature range: -25°C~+90°C

Material: UL94V-2 nylon 66



UL-S-1X05

UL-S-1X04

UL-S-1X03

UL-S-1X02

UL-S-1X01

RoHS Compliant

TOLERANCES ARE

**MORETHANALL**  
PCB CONNECTORS  
Cable ASSEMBLIES

煜倫股份有限公司

www.morethanall.com

DRAWING BY CY

CHECKED BY GENIUS

UNIT/ mm

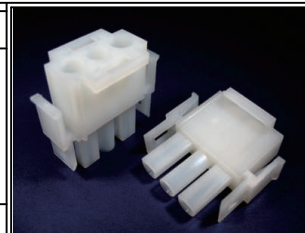
SCALE 1:1

DATE

SIZE A4

P PROJECTION

X. ±  
.X ±  
.XX ±  
.XXX ±  
ANG ±



ORDER INFORMATION

UL-S-1Xxx-LF  
SERIES | 1X01:01WAY | LEADFREE  
| 1X05:05WAY  
FEMALE HOUSING

DESCRIPTION: