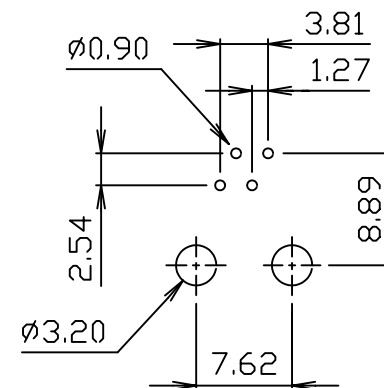
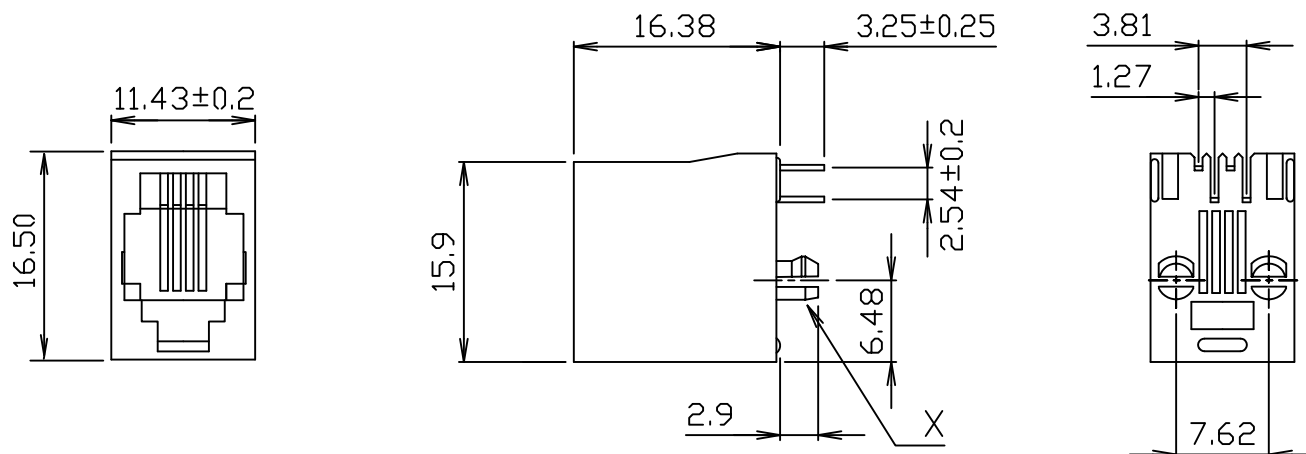


MATERIALS:

- HOUSING-PBT POLYESTER UL94V-0  
MIXED GLASS FIBER.  
STANDARD COLOR-BLACK
- CONTACTS-0.45mm DIA. ROUND PHOS-BRONZE  
PLATED WITH HARD GOLD.

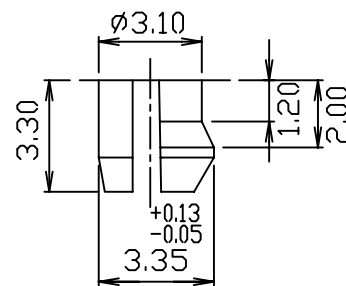
CAVITY CONFIRMS TO FCC RULES AND REGULATIONS  
PART 68,SUBPART F.



PC Board Layout

MJD16-KX06-0404-LF  
LEADFREE  
X:WITHOUT EAR

RoHS Compliant



DETAIL X



PART NO. **MJD16-KE06-0404**

DWG NO. **MJD16-KE06-0404**

FILE NO.

UNIT / mm

SCALE 1:1

CHECKED BY CY

DRAWING BY

PROJECTION



TOLERANCES ARE

.X ± 0.2

.XX ±

.XXX ±

AWG

DESCRIPTION:

AREA

4POSITION 180° (SPLIT PEGS)  
TOP ENTRY PCB JACK

REVISIONS

HK

DATE

焯倫股份有限公司