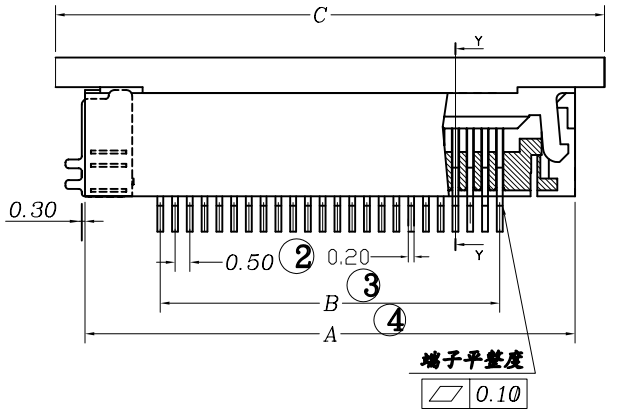
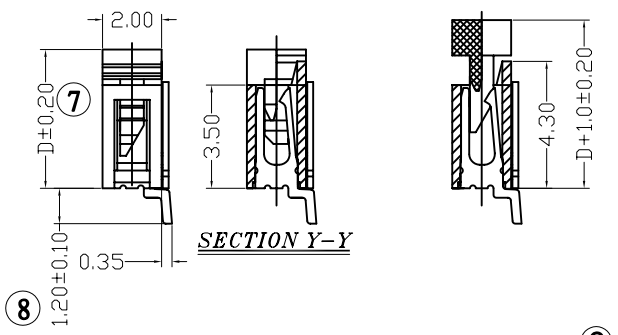


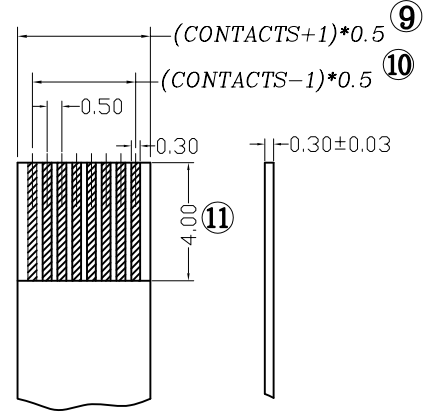
PC BOARD LAYOUT



端子平整度  
0.10



SECTION Y-Y



CKT	A	B	C	D
4	6.60	1.50	8.60	4.3
5	7.10	2.00	9.10	4.3
6	7.60	2.50	9.60	4.3
7	8.10	3.00	10.10	4.3
8	8.60	3.50	10.60	4.3
9	9.10	4.00	11.10	4.3
10	9.60	4.50	11.60	4.3
11	10.10	5.00	12.10	4.3
12	10.60	5.50	12.60	4.3
13	11.10	6.00	13.10	4.3
14	11.60	6.50	13.60	4.3
15	12.10	7.00	14.10	4.3
16	12.60	7.50	14.60	4.3
17	13.10	8.00	15.10	4.3
18	13.60	8.50	15.60	4.3
19	14.10	9.00	16.10	4.3
20	14.60	9.50	16.60	4.3
21	15.10	10.00	17.10	4.3
22	15.60	10.50	17.60	4.3
23	16.10	11.00	18.10	4.3
24	16.60	11.50	18.60	4.3
25	17.10	12.00	19.10	4.3
26	17.60	12.50	19.60	4.3
27	18.10	13.00	20.10	4.3
28	18.60	13.50	20.60	4.3
29	19.10	14.00	21.10	4.3
30	19.60	14.50	21.60	4.3

CKT	A	B	C	D
31	20.10	15.00	22.10	4.7
32	20.60	15.50	22.60	4.7
33	21.10	16.00	23.10	4.7
34	21.60	16.50	23.60	4.7
35	22.10	17.00	24.10	4.7
36	22.60	17.50	24.60	4.7
37	23.10	18.00	25.10	4.7
38	23.60	18.50	25.60	4.7
39	24.10	19.00	26.10	4.7
40	24.60	19.50	26.60	4.7
41	25.10	20.00	27.10	4.7
42	25.60	20.50	27.60	4.7
43	26.10	21.00	28.10	4.7
44	26.60	21.50	28.60	4.7
45	27.10	22.00	29.10	4.7
46	27.60	22.50	29.60	4.7
47	28.10	23.00	30.10	4.7
48	28.60	23.50	30.60	4.7
49	29.10	24.00	31.10	4.7
50	29.60	24.50	31.60	4.7
51	30.10	25.00	32.10	4.7
52	30.60	25.50	32.60	4.7
53	31.10	26.00	33.10	4.7
54	31.60	26.50	33.60	4.7
55	32.10	27.00	34.10	4.7
56	32.60	27.50	34.60	4.7
57	33.10	28.00	35.10	4.7
58	33.60	28.50	35.60	4.7
59	34.10	29.00	36.10	4.7
60	34.60	29.50	36.60	4.7
61	35.10	30.00	37.10	4.7
62	35.60	30.50	37.60	4.7
63	36.10	31.00	38.10	4.7
64	36.60	31.50	38.60	4.7

Notes:

MATERIAL:  
 HOUSING : THERMALPLASTIC , NY46-TE250F8 / UL 94V-0  
 COVER : THERMALPLASTIC , NY46-TE250F9 / UL 94V-0  
 CONTACT : PHOSPHOR BRONZE , C5191R-8H , T=0.20mm  
 HOLDDOWN: BRASS C2680R-H. T=0.2mm  
 Ni PLATE : 1~3 um"  
 Tin COPPER PLATE : 2~5 um"  
 (銅/COPPER : 1~3%)

FPV-WZB-xx-LF  
 LEADFREE  
 RoHS Compliant



PART NO. FPV-WZB-xx		CHECKED BY CY		TOLERANCES ARE		DESCRIP TION: 臥式LOCK PH0.5 2.0T下接					
DWG NO. FPV-WZB-xx		DRAWING BY		.X ± 0.2 .XX ± 0.1 .XXX ± AWG							
FILE NO.		PROJECTION		AREA		REVISIONS		HK		DATE	
UNIT / mm		SCALE 1:1									

煜倫股份有限公司