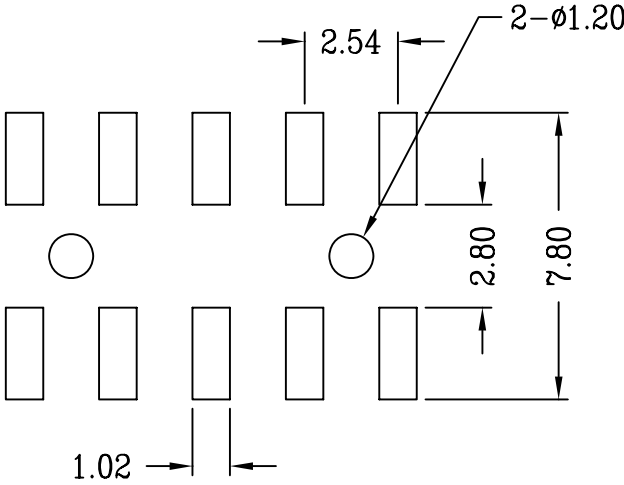
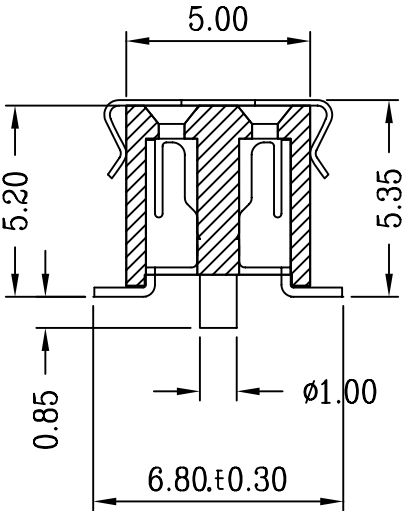
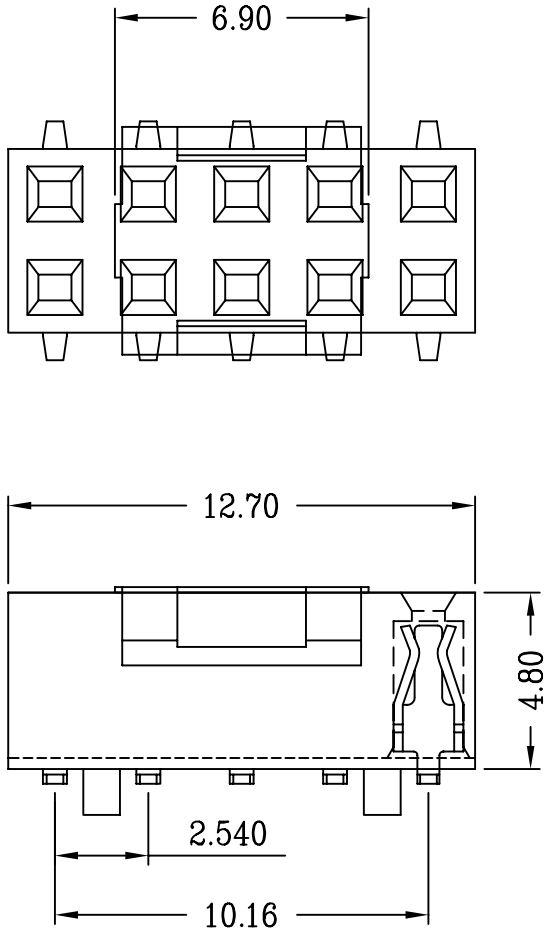


**SPECIFICATIONS**

CURRENT RATING: 3 AMP  
 INSULATION RESISTANCE: 1000M OHMS MIN.  
 DIELECTRIC WITHSTANDING: 600V AC/DC  
 CONTACT RESISTANCE: 20m OHMS MAX.  
 OPERATING TEMPERATURE: -25°C ~ +85°C

**MATERIALS**

CONTACT MATERIAL: PHOSPHOR BRONZE  
 INSULATION MATERIAL: POLYESTER, UL 94V-0  
 NYLON 6T



RECOMMENDED P.C.B LAYOUT

**RoHS Compliant**

TOLERANCES ARE



煜倫股份有限公司

www.morethanall.com

DRAWING BY CY

CHECKED BY GENIUS

UNIT / mm

SCALE 1 : 1

DATE

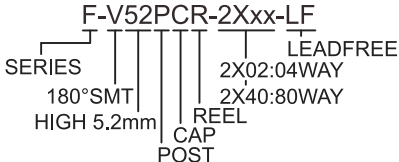
SIZE A4

X, ±  
 .X ± 0.35  
 .XX ±  
 .XXX ±  
 ANG ±

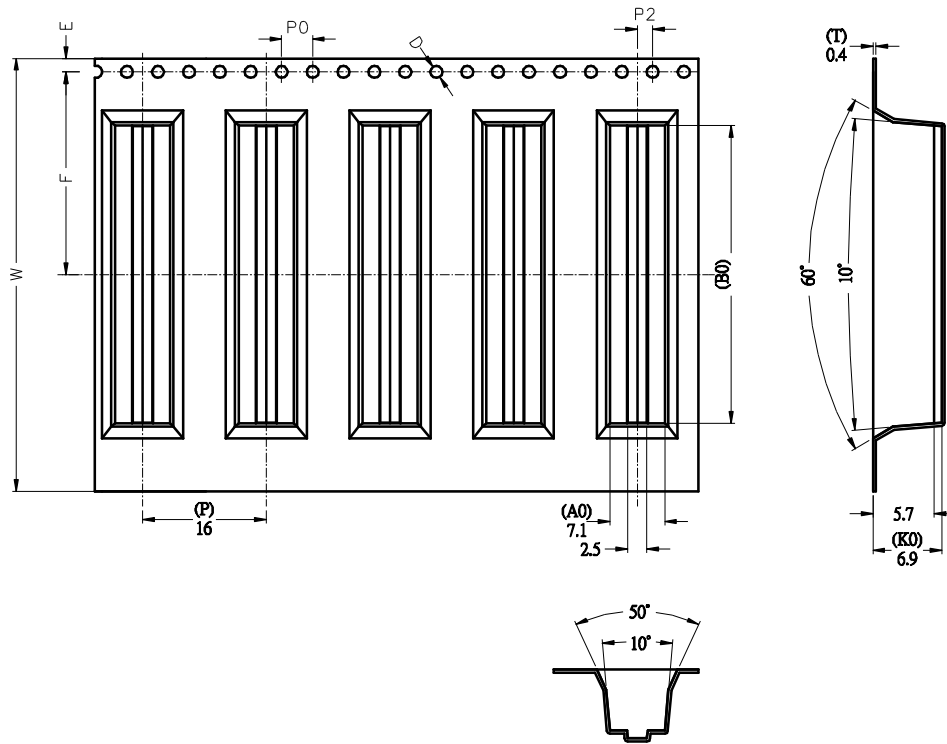
P PROJECTION



**ORDER INFORMATION**



DESCRIPTION: 2.54mm Female Socket Dual Row SMD type (H=5.2)



1. 1.10 sprocket hole pitch cumulative tolerance  $\pm 0.20$ mm.
2. Carrier camber not to exceed 1mm in 100mm.
3.  $A_0$  and  $B_0$  measured on a plane 0.3mm above the bottom of the pocket.
4.  $K_0$  measured from a plane on the inside bottom of the pocket to the top surface of the carrier.
5. All dimensions meet EIA-481-C requirements.
6. Material: Black Anti-static Polystyrene.
7. Thickness:  $0.40 \pm 0.05$  mm.
8. Packing length per 22" reel : 25 Meters.
9. Component loaded per 13" reel : 450 pcs. (Core 4")

ITEM	W	$A_0$	$B_0$	$K_0$	$K_1$	P	F	E	D	$D_1$	$P_0$	$P_2$
DIM	48.0 <sup>+0.30</sup> <sub>-0.30</sub>	7.10 <sup>+0.30</sup> <sub>-0.10</sub>	26.3 <sup>+0.30</sup> <sub>-0.10</sub>	6.90 <sup>+0.30</sup> <sub>-0.10</sub>	0.00 <sup>+0.30</sup> <sub>-0.10</sub>	16.0 <sup>+0.10</sup> <sub>-0.10</sub>	24.0 <sup>+0.15</sup> <sub>-0.15</sub>	1.75 <sup>+0.10</sup> <sub>-0.10</sub>	1.50 <sup>+0.10</sup> <sub>-0.00</sub>	0.00 <sup>+0.25</sup> <sub>-0.00</sub>	4.00 <sup>+0.10</sup> <sub>-0.10</sub>	2.00 <sup>+0.15</sup> <sub>-0.15</sub>

RoHS Compliant

TOLERANCES ARE

**MORETHANALL**  
PCB CONNECTORS  
Cable ASSEMBLIES

DRAWING BY CY

CHECKED BY GENIUS

UNIT / mm SCALE 1 : 1

DATE

SIZE A4

X,  $\pm$   
.X,  $\pm$   
.XX,  $\pm$   
.XXX,  $\pm$   
ANG,  $\pm$

P PROJECTION



ORDER INFORMATION

F-V52PCR-2Xxx-LF  
SERIES 180°SMT HIGH 5.2mm REEL CAP POST  
LEADFREE 2X02:04WAY 2X40:80WAY

DESCRIPTION: 2.54mm 2x10pin(H=5.2mm)

煜倫股份有限公司

www.morethanall.com