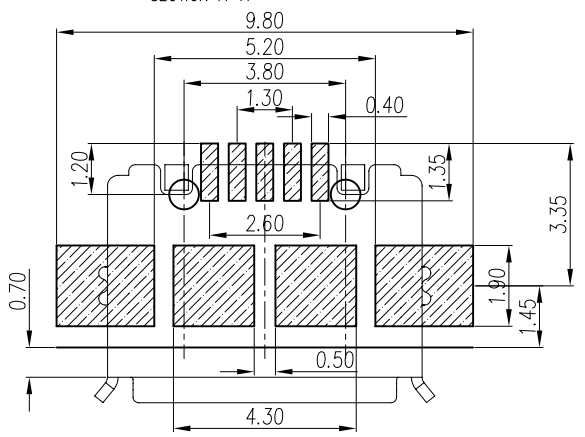
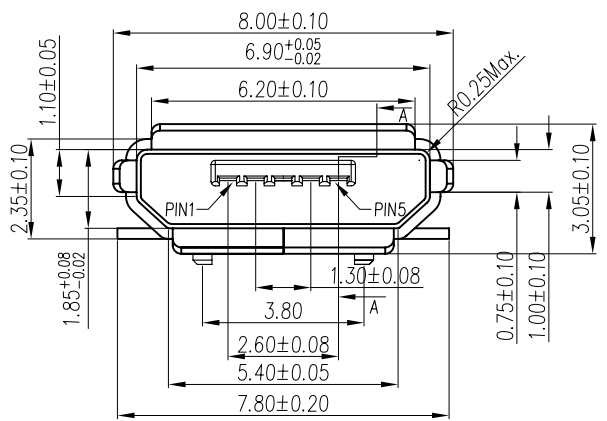
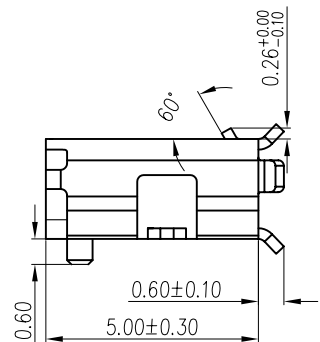
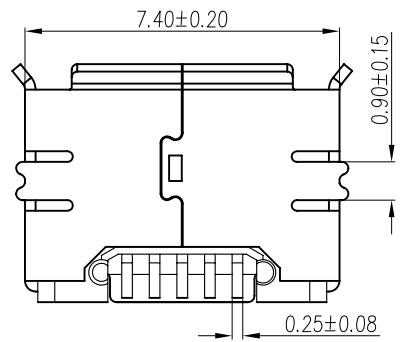


Note:
 Specification:
 1. Current rating: 1 A Max.
 2. Dielectric withstanding voltage: 500 V(ac) for 1 minute.
 3. Contact resistance: 30 mΩ Max.
 4. Insulation resistance: 1000 MΩ Min at DC 500V.
 5. Insertion force: 35 Newtons Max.
 6. Extraction force: 10 Newtons Min.
 7. Temperature range: -30°C~+80°C



MISB-SWP-5B-LF
 LEADFREE
 RoHS Compliant



3	Shell	1	SUS	T=0.25mm	Nickel Plated
2	Contact	5	Brass	T=0.20mm	Contact area: 30u"Gold Plated over 40u"Nickel min Solder area: 80~120u"Tin Plated over 40u"Nicked Min. (or All Gold Plated)
1	Housing	1	LCP	UL 94-V0	Black
No.	Name	Q'ty	Material	Remarks & Thickness	Finish

MORETHANALL
 CONNECTORS
 ASSEMBLIES

煜倫股份有限公司

PART NO. MISB-SWP-5B		CHECKED BY CY		TOLERANCES ARE .X ± 0.2 .XX ± .XXX ± AWG	DESCRIP TION: MICRO USB-5PIN(F)B TYPE SMT
DWG NO. MISB-SWP-5B		DRAWING BY			
FILE NO.		PROJECTION		AREA	REVISIONS
UNIT / mm	SCALE 1:1			HK	DATE