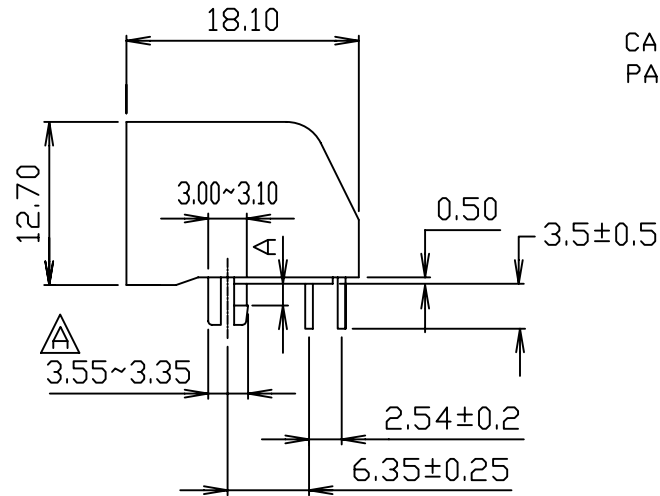
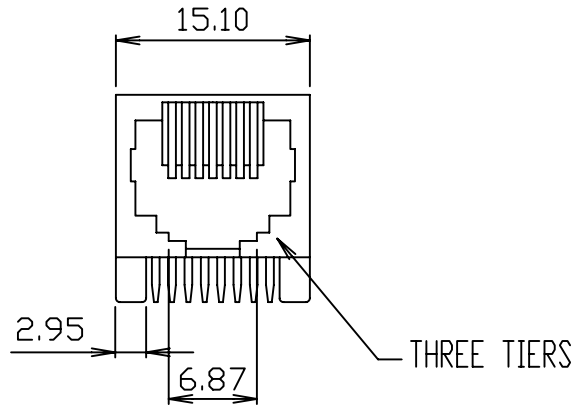


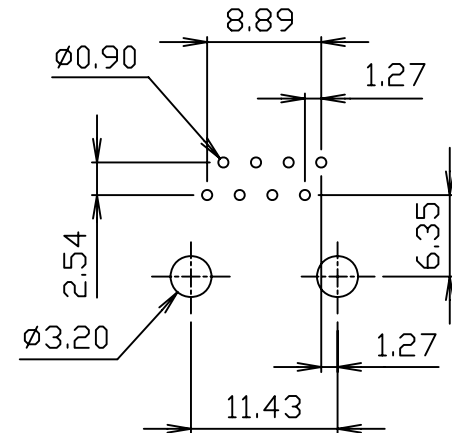
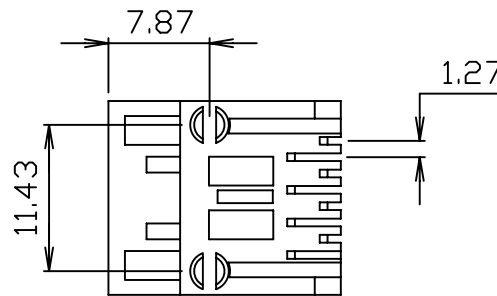
MATERIAL: HOUSING-PBT POLYESTER UL-94V-0
 MIXED GLASS FIBER,
 STANDARD COLOR-BLACK
 CONTACTS-0.35mm THICK PHOS-BRONZE
 PLATED WITH HARD GOLD AND
 TIN/LEAD IN SOLDER AREA.
 CAVITY CONFIRMS TO FCC RULES AND REGULATIONS
 PART 68,SUBPART F.



REVISIONS			
LTR	DESCRIPTION	DATE	APP
△	3.40±0.05	09/21/'00	

MJ12J-KX06-0808-LF
 LEADFREE

RoHS Compliant



PC Board Layout

MORETHANALL
 CONNECTORS
 ASSEMBLIES

PART NO. MJ12J-KX06-0808

DWG NO. MJ12J-KX06-0808

CHECKED BY CY

FILE NO.

DRAWING BY

TOLERANCES ARE

.X ± 0.25
 .XX ± 0.13
 .XXX ± 0.05
 AWG

DESCRIPTION: 8 POSITION FLANGED LOW PROFILE
 SIDE ENTRY PCB JACK

煜倫股份有限公司

UNIT / mm

SCALE 1:1

PROJECTION



AREA

REVISIONS

HK

DATE