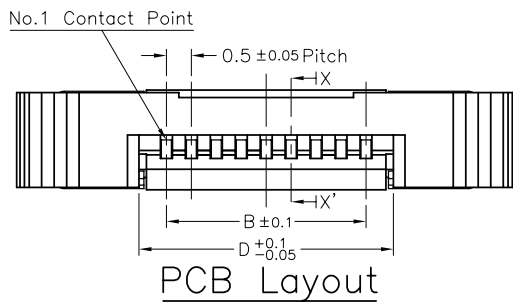
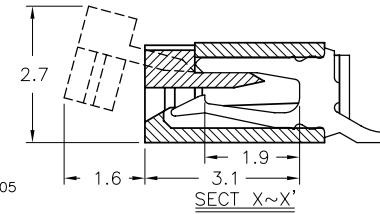
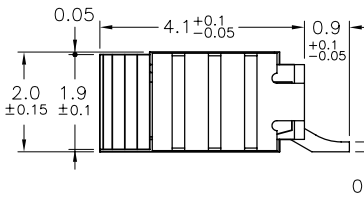


NOTE:
 1.MATERIAL:
 HOUSING:THERMOPLASTIC
 SLIDER:THERMOPLASTIC
 CONTACTS:COPPER ALLOY
 SOLDER PAD:COPPER ALLOY
 2.PLATING:
 CONTACTS:SEE ORDERING INFORMATION
 SOLDER PAD:SEE ORDERING INFORMATION
 3.RATING:
 OPERATING VOLTAGE:50V
 CURRENT RATING:0.4A
 OPERATING TEMPERATURE:-55°C ~ +85°C

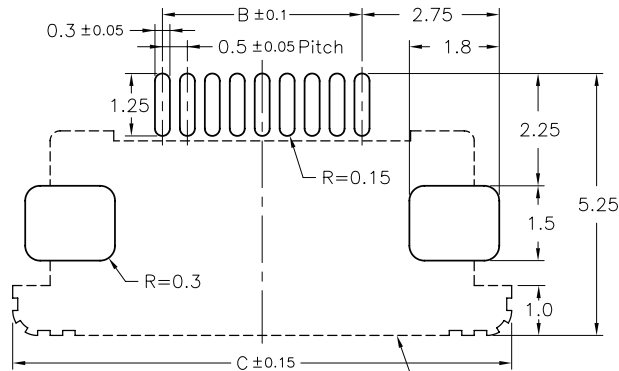
No. of Contacts	DIM. A	DIM. B	DIM. C	DIM. D
4	6	1.5	7.5	2.6
5	6.5	2	8	3.1
6	7	2.5	8.5	3.6
7	7.5	3	9	4.1
8	8	3.5	9.5	4.6
9	8.5	4	10	5.1
10	9	4.5	10.5	5.6
11	9.5	5	11	6.1
12	10	5.5	11.5	6.6
13	10.5	6	12	7.1
14	11	6.5	12.5	7.6
15	11.5	7	13	8.1
16	12	7.5	13.5	8.6
17	12.5	8	14	9.1
18	13	8.5	14.5	9.6
19	13.5	9	15	10.1
20	14	9.5	15.5	10.6
21	14.5	10	16	11.1
22	15	10.5	16.5	11.6
23	15.5	11	17	12.1
24	16	11.5	17.5	12.6
25	16.5	12	18	13.1
26	17	12.5	18.5	13.6
27	17.5	13	19	14.1
28	18	13.5	19.5	14.6
29	18.5	14	20	15.1
30	19	14.5	20.5	15.6
31	19.5	15	21	16.1
32	20	15.5	21.5	16.6
33	20.5	16	22	17.1
34	21	16.5	22.5	17.6
35	21.5	17	23	18.1
36	22	17.5	23.5	18.6
37	22.5	18	24	19.1
38	23	18.5	24.5	19.6
39	23.5	19	25	20.1
40	24	19.5	25.5	20.6
41	24.5	20	26	21.1
42	25	20.5	26.5	21.6
43	25.5	21	27	22.1
44	26	21.5	27.5	22.6
45	26.5	22	28	23.1
46	27	22.5	28.5	23.6
47	27.5	23	29	24.1
48	28	23.5	29.5	24.6
49	28.5	24	30	25.1
50	29	24.5	30.5	25.6



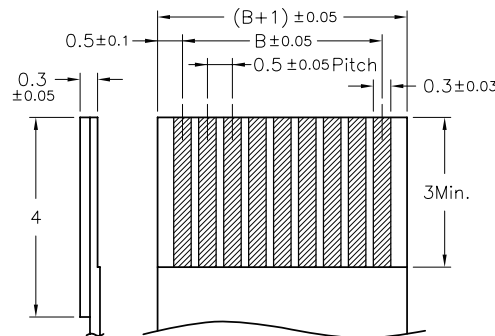
PCB Layout



Applicable FPC



FPC/FFC INSERT DIRECTION



RoHS Compliant

TOLERANCES ARE

MORETHANALL
 PCB CONNECTORS
 Cable ASSEMBLIES

煜倫股份有限公司

www.morethanall.com

DRAWING BY CY

CHECKED BY GENIUS

UNIT/ mm

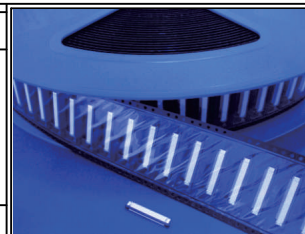
SCALE 1:1

DATE

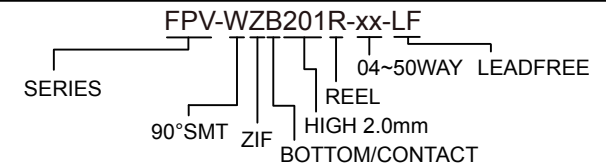
SIZE A4

P PROJECTION

X, ±
 X, ±
 .XX ±
 .XXX ±
 ANG ±

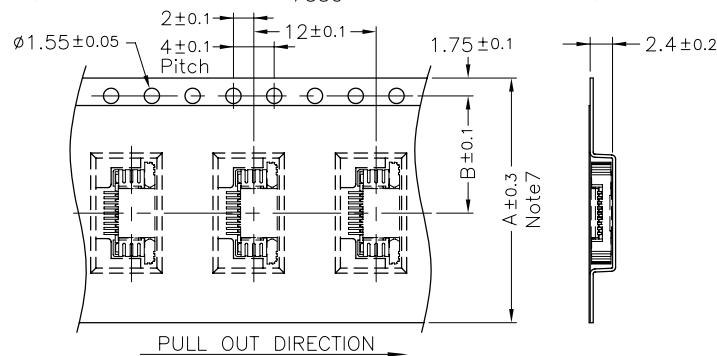
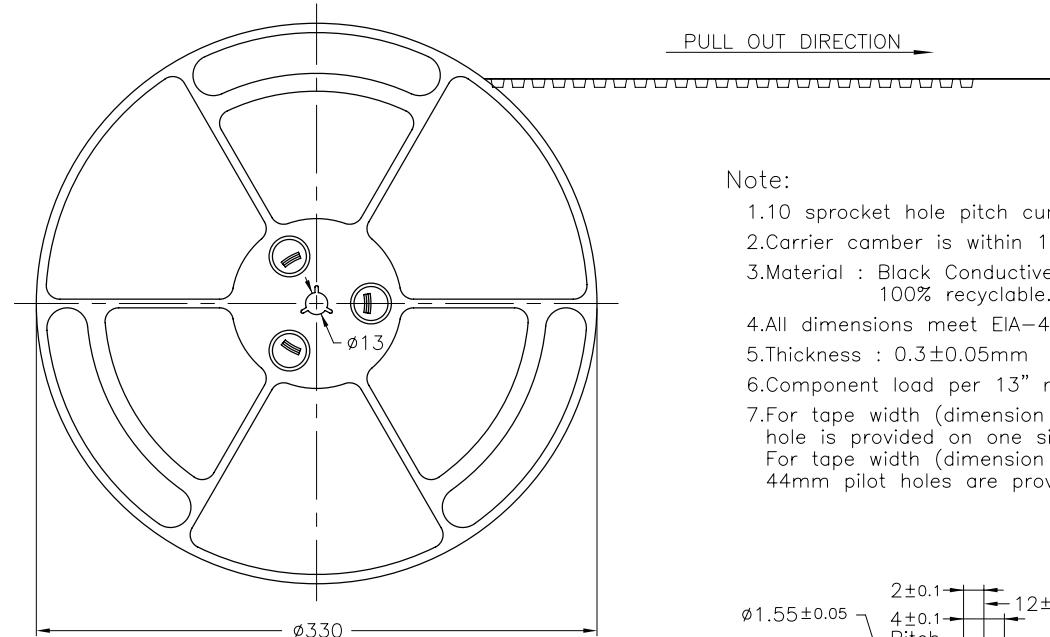
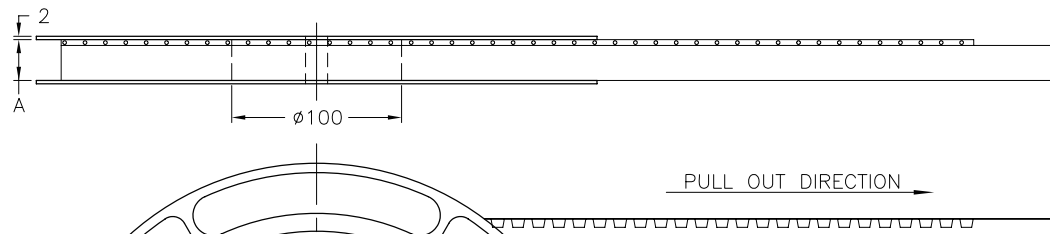


ORDER INFORMATION



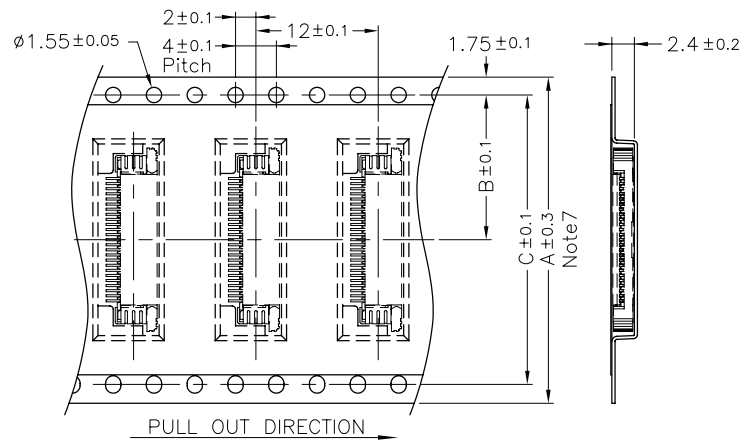
DESCRIPTION: 0.5mm Pitch FPC/FFC Connector

EMBOSSED TAPE PACKING RIGHT ANGLE TYPE



Note:

- 1.10 sprocket hole pitch cumulative tolerance ± 0.2 .
2. Carrier camber is within 1 mm in 100mm.
3. Material : Black Conductive Polystyrene Alloy
100% recyclable.
4. All dimensions meet EIA-481-3 requirements.
5. Thickness : 0.3 ± 0.05 mm
6. Component load per 13" reel :2000 pcs.
7. For tape width (dimension A) 24mm a pilot hole is provided on one side.
For tape width (dimension A) 32mm and 44mm pilot holes are provided on both sides.



No. of Contacts	DIM. A Note7	DIM. B	DIM. C
4 ↓ 23	24	11.5	—
24 ↓ 33	32	14.2	28.4
34 ↓ 50	44	20.2	40.4

RoHS Compliant

MORETHANALL
PCB CONNECTORS
Cable ASSEMBLIES

煜倫股份有限公司

www.morethanall.com

DRAWING BY CY

CHECKED BY GENIUS

UNIT/ mm

SCALE 1:1

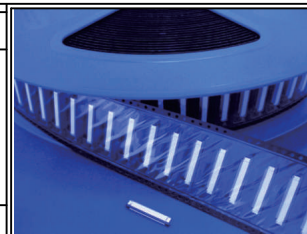
DATE

SIZE A4

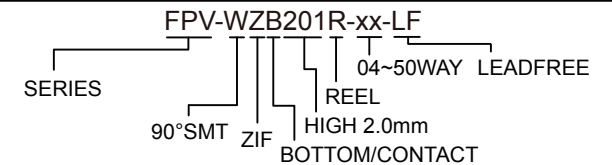
TOLERANCES ARE

X. \pm
.X \pm
.XX \pm
.XXX \pm
ANG \pm

P PROJECTION



ORDER INFORMATION



DESCRIPTION: