

DP-STx-04-LF  
LEADFREE  
L:BODY+L/COVER  
C:BODY+C/COVER

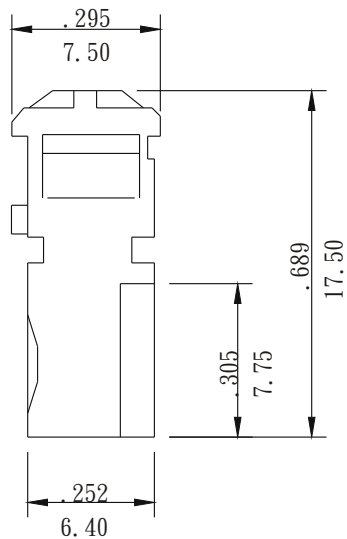
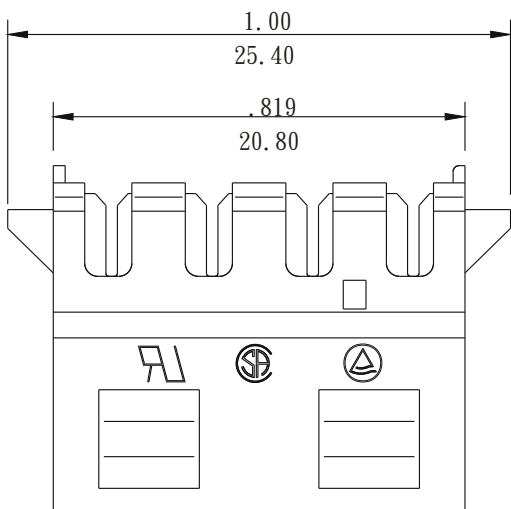
RoHS Compliant

Female Connector

- \* Material : Nylon UL 94V-2
- \* Contact : Tin-plated phosphor bronze
- \* Current rating : 4.5A, AC/DC
- \* Voltage rating : 250V, AC/DC
- \* Insulation O.D. : .095" (2.41mm) max.
- \* Applicable wire AWG#22- #18
- \* 4 circuits

Series Covers

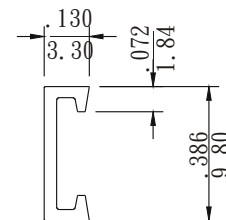
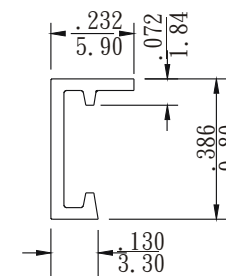
- \* Color : natural



DP-CL-04



DP-CC-04



inch  
mm



PART NO. DP-STx-04

DWG NO. DP-STx-04

FILE NO.

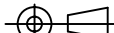
UNIT / mm

SCALE 1:1

CHECKED BY CY

DRAWING BY

PROJECTION



TOLERANCES ARE

.X ± 0.2  
.XX ± 0.1  
.XXX ±  
AWG

DESCRIP TION: **Disk Drive Power Con nection System**

AREA

REVISIONS

HK

DATE

煜倫股份有限公司