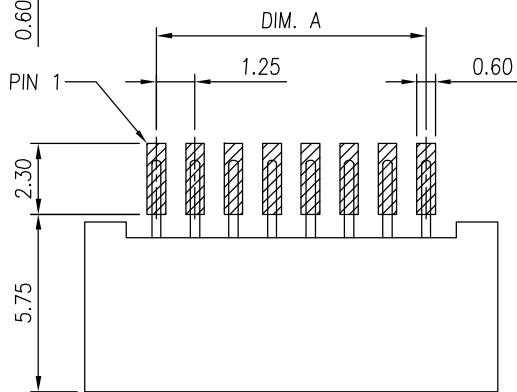
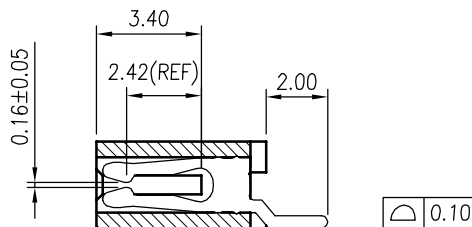
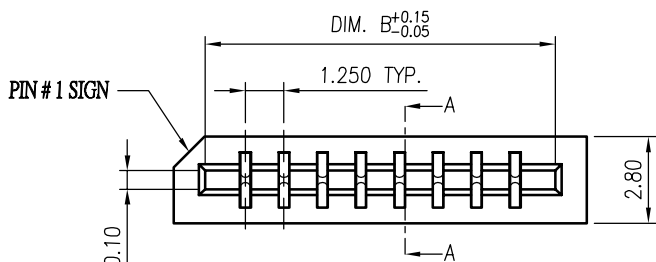
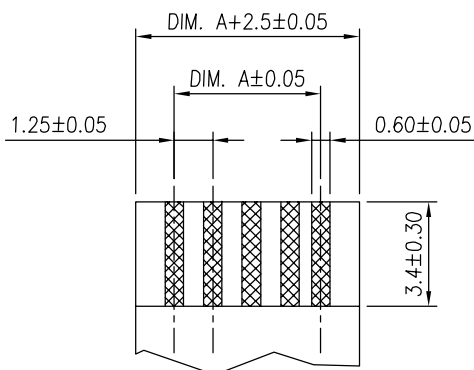


NOTE:

- 1.MATERIAL:
HOUSING: PA6T, UL94V-0, COLOR: BLACK.
CONTACT: PHOSPHOR BRONZE.
- 2.FINISH:
CONTACT AREA: TIN PLATING 100 u" THICKNESS MIN.
SOLDERING AREA: TIN PLATING 100 u" THICKNESS MIN.;
UNDER PLATING: NICKEL PLATING 50 u" THICKNESS MIN. OVERALL.



RECOMMENDED PCB LAYOUT
TOLERANCE: ±0.05



FPC/FFC T=0.30±0.05

POS.	DIMENSION			POS.	DIMENSION		
	A	B	C		A	B	C
3	2.50	5.10	7.15	17	20.00	22.60	24.65
4	3.75	6.35	8.40	18	21.25	23.85	25.90
5	5.00	7.60	9.65	19	22.50	25.10	27.15
6	6.25	8.85	10.90	20	23.75	26.35	28.40
7	7.50	10.10	12.15	21	25.00	27.60	29.65
8	8.75	11.35	13.40	22	26.25	28.85	30.90
9	10.00	12.60	14.65	23	27.50	30.10	32.15
10	11.25	13.85	15.90	24	28.75	31.35	33.40
11	12.50	15.10	17.15	25	30.00	32.60	34.65
12	13.75	16.35	18.40	26	31.25	33.85	35.90
13	15.00	17.60	19.65	27	32.50	35.10	37.15
14	16.25	18.85	20.90	28	33.75	36.35	38.40
15	17.50	20.10	22.15	29	35.00	37.60	39.65
16	18.75	21.35	23.40	30	36.25	38.85	40.90

RoHS Compliant



煜倫股份有限公司

www.morethanall.com

DRAWING BY CY

CHECKED BY GENIUS

UNIT / mm

SCALE 1 : 1

DATE

SIZE A4

TOLERANCES ARE

X. ± 0.40

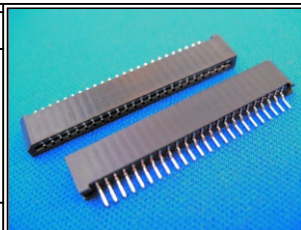
.X ± 0.30

.XX ± 0.20

.XXX ± 0.10

ANG ±

PJECTION



ORDER INFORMATION

FPB-WL2-xx-LF

SERIES | LEADFREE
| 03~30WAY
| DUAL CONTACT
| NON ZIF
| 90°SMT

DESCRIPTION: FPC/FFC 1.25mm PITCH CONNECTOR, NON ZIF DUAL CONTACT SMT TYPE